

CHART:

L	T
L≤1M	±30MM
1M<L≤5M	±50MM
5M<L≤10M	±100MM
L>10M	±150MM

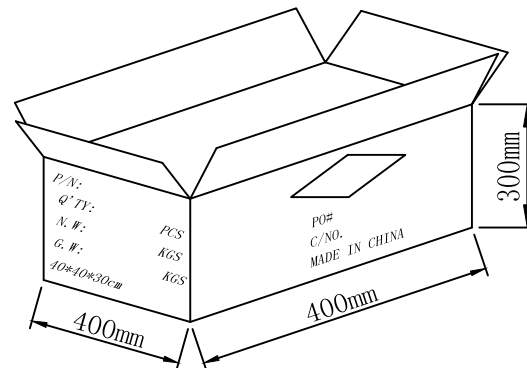
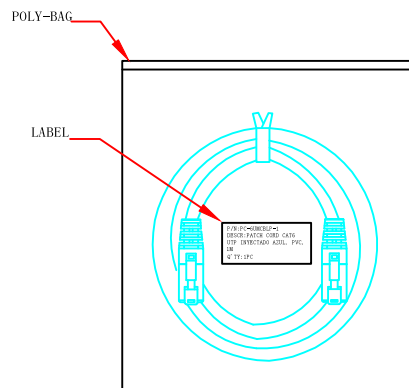
REMARK :

1. CABLE:UTP CAT.6 CABLE STRANDED BARE COPPER 4P*24AWG 7*0.18mm JACKET.OD:5.8±0.20MM, BLUE.
2. CONN. :P1 & P2: 8P8C PLUG, GOLD PLATED.
3. BOOT: PVC
4. CABLE ASS'Y MUST PASS FLUKE CHANNEL TEST.
5. PACKING: EACH CABLE IN A POLY-BAG.

WIRE CONNECTION

COLOR (568B)	P1	PAIRS	P2
WHITE/ORANGE	1	———	1
ORANGE	2	———	2
WHITE/GREEN	3	———	3
BLUE	4	———	4
WHITE/BLUE	5	———	5
GREEN	6	———	6
WHITE/BROWN	7	———	7
BROWN	8	———	8

PACKING



TOLERANCE						
	INCHES	M/M				
. X	. 015	. 30				
. XX	. 010	. 10	SCALE	NONE		
. XXX	. 005	. 05	UNIT	MM		
DRAWN BY	Jack	SHEET	1/1	REV A		
CHECK BY	Susan	DATE	27/05/17	DWG NO.		
APPD BY	Ann	TITLE 8P8C PLUG/8P8C PLUG				
			PART NO. PC-6UMCBLP-1			