

- Mini ventiladores de 25mm, 30mm, 40mm, 50mm, 60mm, 80mm, 92mm, 120mm, 150mm, 172mm, 180mm e 200mm
- Alimentação 110/220 VCA, 220VCA, 12VCC ou 24VCC
- 25mm, 30mm, 40mm, 50mm, 60mm, 80mm, 92mm, 120mm, 150mm, 172mm, 180mm and 200mm fans
- 110/220VCA, 220VAC, 12VDC or 24VDC power supply



Especificações / Specifications

Modelo / Model	CA / AC	CC / DC
Tensão nominal / Rated voltage	110 / 220 VCA / VAC ±15% ou / or 220VCA / VAC ±15%	12 VCC / VDC ou / or 24 VCC / VDC ±15%
Frequência / Frequency	50 / 60 Hz	-
Temperatura de operação / Operating temperature	-20 ~ 80°C	
Umidade relativa / Relative humidity	20% ~ 85% RH	
Vida útil a / Life at 25°C	20.000H min. (Bucha / Sleeve) 50.000H min. (Esfera / Ball)	30.000H min. (Bucha / Sleeve) 50.000H min. (Esfera / Ball)
Resistência de isolamento / Insulation resistance	10 M.Ωmin. (500VDC)	
Rigidez dielétrica / Dielectric strength	1500VCA / VAC - 1min.	
Material da estrutura / Frame material	25 ~ 120mm	Plástico térmico / Thermal plastic (UL 94V-0)
	150 ~ 200mm	Liga de alumínio / Aluminum alloy
Material do rotor / Impeller material	Plástico térmico / Thermal plastic (UL 94V-0)	

Características / Characteristics

Ventiladores CA / AC fans									
Modelo Model	Tensão nominal Rated voltage (VCA / VAC)	Corrente nominal Rated current 110 VCA / VAC 220 VCA / VAC	Velocidade nominal Rated speed (RPM*)	Fluxo de ar Air flow (CFM)	Pressão estática Static pressure *	Potência de entrada Input power 110 VCA / VAC 220 VCA / VAC	Nível de ruído Noise level *	Sistemas de rolamentos Bearing system	Peso Weight
8025ABHSL	110 / 220 ±15%	0,15A 0,08A	2300 / 2700 ±10%	17 / 21	3,0 / 4,3 mm H ₂ O	15,4W 13,2W	29 / 33 dBA	Bucha Sleeve	250g
8025ABHBL	110 / 220 ±15%	0,14A 0,08A	2400 / 2800 ±10%	18 / 22	3,1 / 4,5 mm H ₂ O	17,6W 15,4W	30 / 34 dBA	Esfera Ball	250g
12038ABHSL	110 / 220 ±15%	0,21A 0,10A	2600 / 3000 ±10%	75 / 90	6,3 / 7,3 mm H ₂ O	22W	43 / 46 dBA	Bucha Sleeve	480g
12038ABHBL	110 / 220 ±15%	0,21A 0,10A	2600 / 3000 ±10%	77 / 92	6,4 / 7,6 mm H ₂ O	21,5W	43 / 46 dBA	Esfera Ball	480g
15050ABHSL	110 / 220 ±15%	0,39A 0,22A	2300 / 2500 ±10%	150 / 190	11 / 13 mm H ₂ O	38,5W	47 / 49 dBA	Bucha Sleeve	850g
17251ABHSL	110 / 220 ±15%	0,39A 0,22A	2300 / 2500 ±10%	150 / 190	9,6 / 13 mm H ₂ O	38,5W	47 / 49 dBA	Bucha Sleeve	850g
18065C2HBL	220 ~ 240 ±15%	0,22A	2600 / 3000 ±10%	345 / 395	15 / 12 mm H ₂ O	45W	63 / 68 dBA	Esfera Ball	1188g
20060C2HBL	220 ~ 240 ±15%	0,30A	2500 / 2800 ±10%	460 / 530	17 / 19 mm H ₂ O	60W	60 / 65 dBA	Esfera Ball	1600g

*Dados baseados nas frequências de 50 e 60Hz respectivamente / Data based on 50 and 60Hz respectively

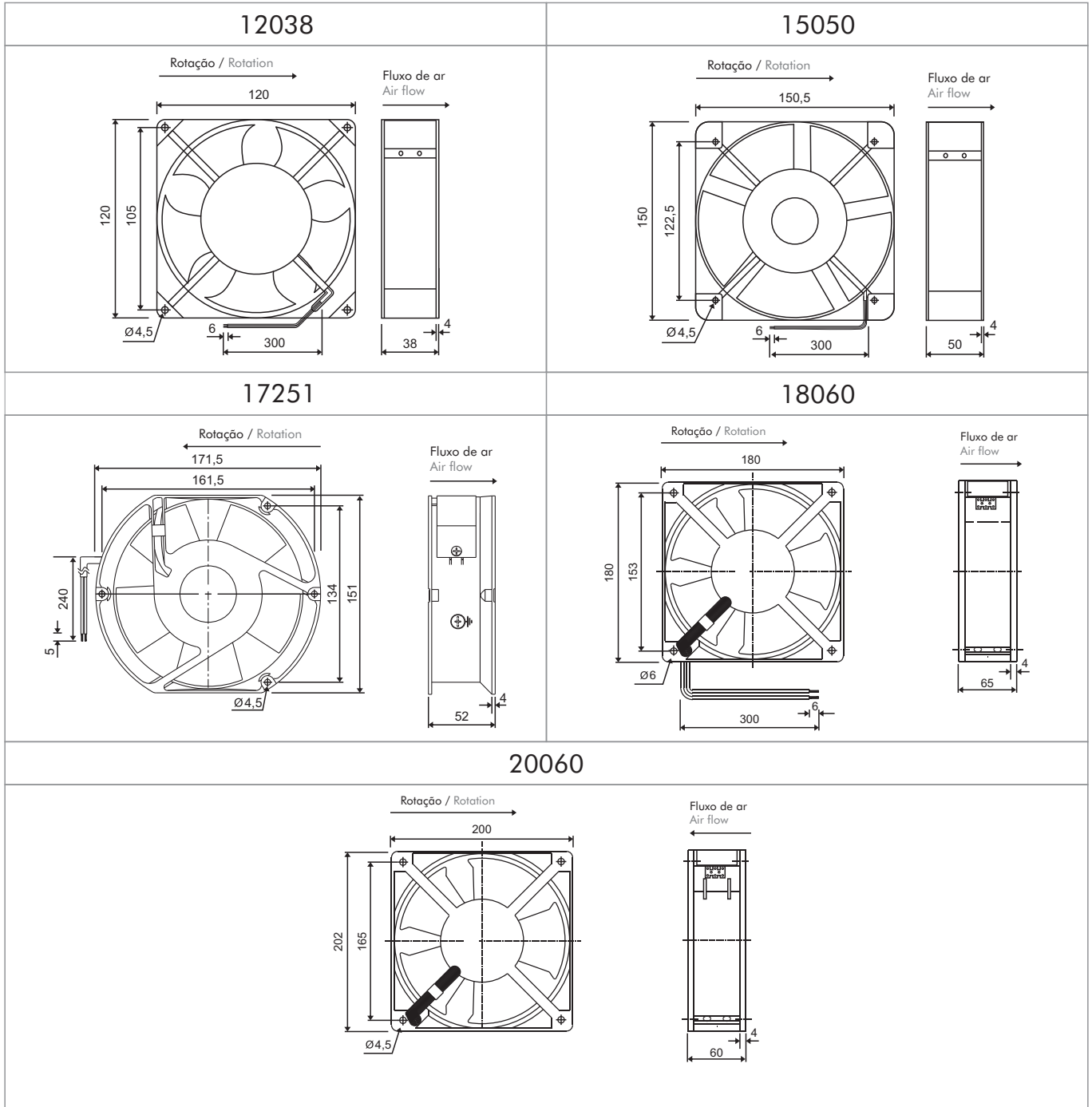
Características / Characteristics

Ventiladores CC / DC fans								
Modelo Model	Tensão nominal Rated voltage (VCC / VDC)	Corrente nominal Rated current	Velocidade nominal Rated speed (RPM*)	Fluxo de ar Air flow (CFM)	Pressão estática Static pressure *	Nível de ruído Noise level *	Sistemas de rolamentos Bearing system	Peso Weight
2510D24HS	24 ±15%	0,06A	9500 ±10%	2,3	4,6 mm H ₂ O	30 dBA	Bucha Sleeve	7g
3010D12HB	12 ±15%	0,10A	11000 ±10%	5,2	5,5 mm H ₂ O	32 dBA	Esfera Ball	8,5g
3010D24HB	24 ±15%	0,06A	11000 ±10%	5,2	5,5 mm H ₂ O	32 dBA	Esfera Ball	8,5g
4010D12HB	12 ±15%	0,12A	7000 ±10%	7,6	3,7 mm H ₂ O	33 dBA	Esfera Ball	16g
4010D12MS	12 ±15%	0,07A	6000 ±10%	6,4	2,8 mm H ₂ O	28 dBA	Bucha Sleeve	16g
4010D24HB	24 ±15%	0,09A	7000 ±10%	7,6	3,7 mm H ₂ O	33 dBA	Esfera Ball	16g
4010D24MS	24 ±15%	0,04A	6000 ±10%	6,4	2,8 mm H ₂ O	28 dBA	Bucha Sleeve	16g
5010D12HB	12 ±15%	0,16A	6000 ±10%	13,2	3,3 mm H ₂ O	32 dBA	Esfera Ball	19g
5010D24HB	24 ±15%	0,10A	6000 ±10%	13,2	3,3 mm H ₂ O	32 dBA	Esfera Ball	19g
6020D12MS	12 ±15%	0,12A	3400 ±10%	18,5	3,3 mm H ₂ O	29 dBA	Bucha Sleeve	50g
6020D24MS	24 ±15%	0,10A	3400 ±10%	18,5	3,3 mm H ₂ O	29 dBA	Bucha Sleeve	50g
6025D12HB	12 ±15%	0,14A	4500 ±10%	19,2	4,2 mm H ₂ O	28 dBA	Esfera Ball	62g
6025D24HB	24 ±15%	0,14A	4500 ±10%	19,2	4,2 mm H ₂ O	28 dBA	Esfera Ball	62g
6025D24HS	24 ±15%	0,14A	4500 ±10%	19,2	4,2 mm H ₂ O	28 dBA	Bucha Sleeve	62g
8025D12HB	12 ±15%	0,23A	3400 ±10%	41,0	3,3 mm H ₂ O	33 dBA	Esfera Ball	76g
8025D12MS	12 ±15%	0,16A	2500 ±10%	30,4	2,2 mm H ₂ O	28 dBA	Bucha Sleeve	76g
8025D24HB	24 ±15%	0,15A	3400 ±10%	41,0	3,3 mm H ₂ O	33 dBA	Esfera Ball	76g
8025D24MB	24 ±15%	0,12A	2800 ±10%	34,3	2,2 mm H ₂ O	28 dBA	Esfera Ball	76g
8025D24MS	24 ±15%	0,12A	2700 ±10%	32,3	2,2 mm H ₂ O	28 dBA	Bucha Sleeve	76g
9225D24MS	24 ±15%	0,18A	2600 ±10%	48,5	2,6 mm H ₂ O	35 dBA	Bucha Sleeve	85g
12038D12HB	12 ±15%	1,30A	2400 ±10%	154,0	14,6 mm H ₂ O	52 dBA	Esfera Ball	290g
12038D24HB	24 ±15%	0,60A	3800 ±10%	154,0	14,6 mm H ₂ O	52 dBA	Esfera Ball	290g
12038D24HS	24 ±15%	0,60A	3800 ±10%	154,0	14,6 mm H ₂ O	52 dBA	Bucha Sleeve	290g
12038D24MB	24 ±15%	0,40A	1900 ±10%	85,0	7,8 mm H ₂ O	44 dBA	Esfera Ball	290g
12038D24MS	24 ±15%	0,40A	2000 ±10%	90,0	7,8 mm H ₂ O	44 dBA	Bucha Sleeve	290g
15050D24HB	24 ±15%	1,80A	2900 ±10%	272,6	31,5 mm H ₂ O	64 dBA	Esfera Ball	735g
15050D24MB	24 ±15%	0,44A	2600 ±10%	177,5	29,0 mm H ₂ O	62 dBA	Esfera Ball	735g
15050D24MS	24 ±15%	0,44A	2500 ±10%	174,0	29,0 mm H ₂ O	62 dBA	Bucha Sleeve	735g
17251D24MB	24 ±15%	1,4A	3800 ±10%	260,0	29,0 mm H ₂ O	62 dBA	Bucha Sleeve	735g

Dimensões / Dimensions (mm)

<p style="text-align: center;">2510</p>	<p style="text-align: center;">3010</p>
<p style="text-align: center;">4010</p>	<p style="text-align: center;">5010</p>
<p style="text-align: center;">6025</p>	<p style="text-align: center;">6020</p>
<p style="text-align: center;">8025</p>	<p style="text-align: center;">9225</p>

Dimensões / Dimensions (mm)



Esquemas de ligação / Wiring

