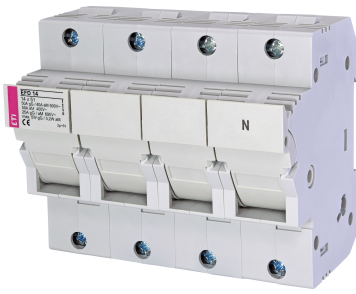


EFD 14 3p+N



Specifications

ETI Code	002560005
Description	EFD 14 3p+N
Weight	434
Level	Fuse-switch disconnectors
Rated current (A)	50
Type	EFD 14 3p+N
Size	EFD 14
Product group	LV-fuse-switch disconnectors
Rated AC voltage (V)	690
Utilization category	AC22B
Mounting	DIN

Online product page 

Other documentation



[EU declaration](#)

[Technical data catalogue](#)

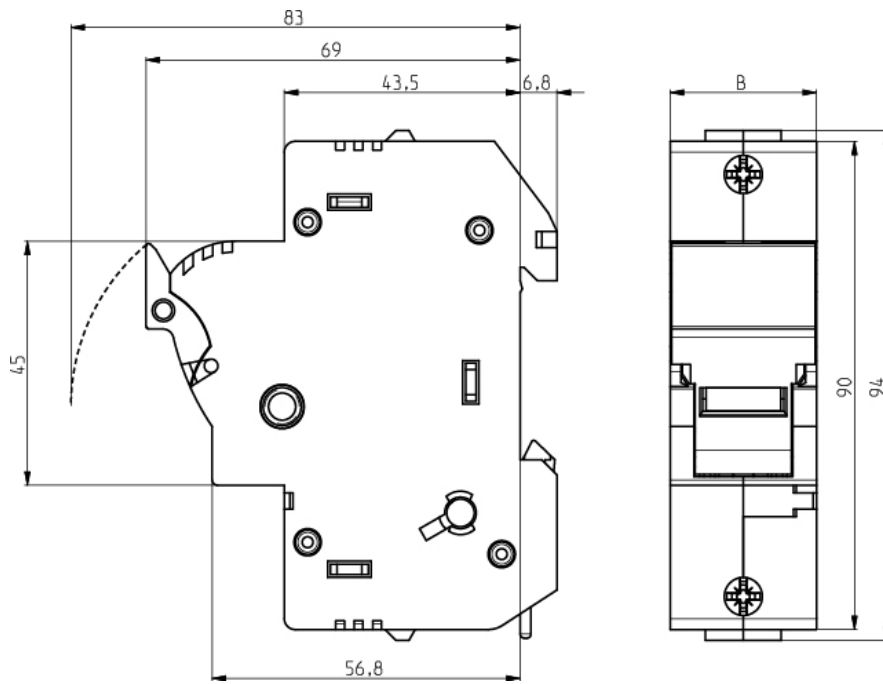
[3D Model](#)



ETIM international classification

Number of poles	3+N
For fuse size	14x51 mm

Dimension drawing



	B
EFD 14 1p	27
EFD 14 1p+N	54
EFD 14 2p	54
EFD 14 3p	81
EFD 14 3p+N	108