

# Clips for Cylindrical fuses UL

30A & 60A Ø sizes 3/16", 1/4", 13/32" - 5mm, 6.35mm, 10mm

## FUSE HOLDERS, FUSE BASES AND SUPPORTS

### FUSE CLIPS



Mersen offers an extensive offer of fuse clips.

Clips are tin plated copper alloy and match perfectly our selection of fuses. They are designed to mount easily, to save space and provide tight contact.

You can choose from a wide range of traditional and space-saving fuse blocks, fuse clips and fuse holders.

### TECHNICAL DATA OVERVIEW

Ampere Range (A)	10 ... 60 A
Size per Standard	For 1-1/16", 9/16", 13/32", 13/16", 1/4"

### FEATURES & BENEFITS

- Tin plated copper alloy clips
- Tin plated hard brass
- Tin plated spring brass
- Non-spring reinforced

### STANDARDS

- UL recognized



# Clips for Cylindrical fuses UL

30A & 60A Ø sizes 3/16", 1/4", 13/32" - 5mm, 6.35mm, 10mm

## PRODUCT RANGE

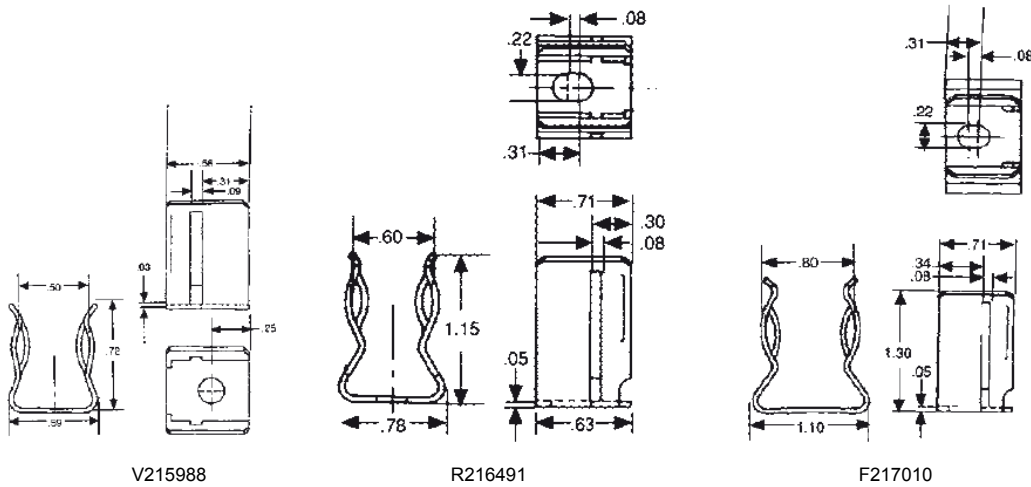
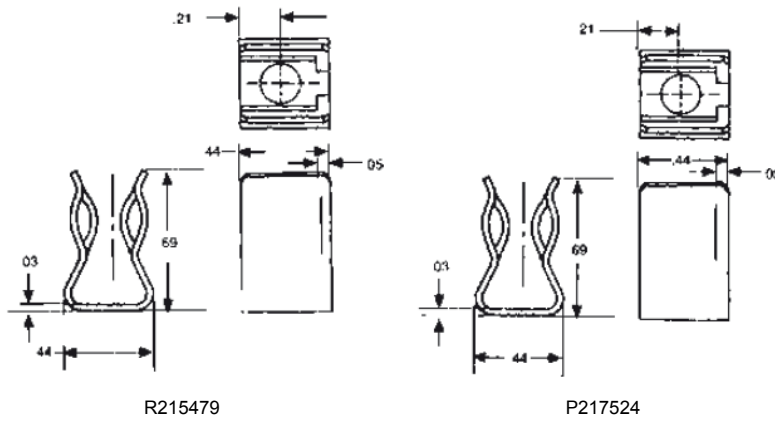
### Fuse clips for 30 & 60 amps

Catalog number	Reference number	For fuse rating - size	Mounting details: hole/screw size
C08915P	R215479	30A - 13/32"	.172" dia. - #8
C08916P	V215988	30A - 9/16"	.172" dia. - #8
C08917P	R216491	30A or 60A - 13/16"	.22"x.30" - #10
C08918P	F217010	60A - 13/16"	.22"x.30" - #10
C08919P	P217524	30A - 13/32"	.196" dia. - #10

### Fuse clips for PC Board

Catalog number	Reference number	For fuse rating - size
SDC5	R219596	10A max - 13/64"
SDC6	K222051	15A max - 1/4"
SDC7	T222795	30A max - 13/32"

## DIMENSIONS

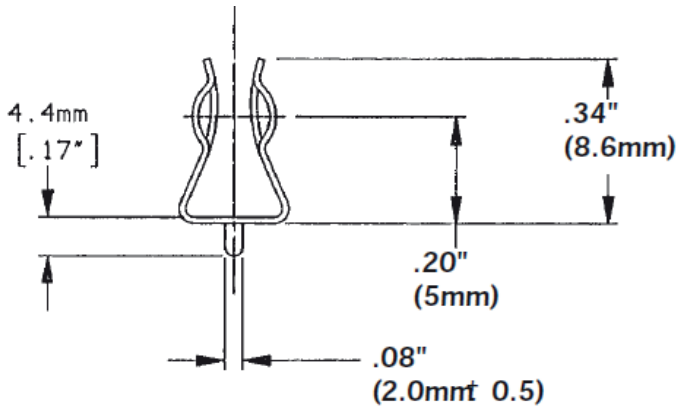


MERSEN reserves the right to change, update or correct, without notice, any information contained in this datasheet.

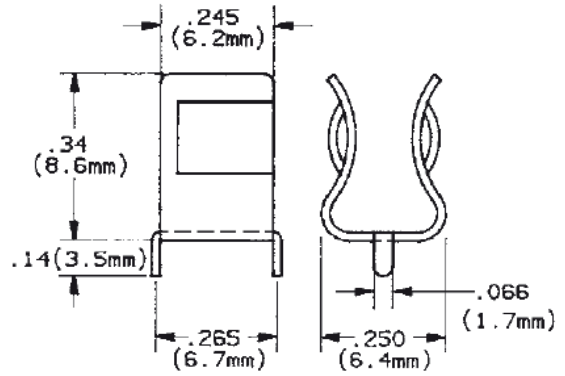
# Clips for Cylindrical fuses UL

30A & 60A Ø sizes 3/16", 1/4", 13/32" - 5mm, 6.35mm, 10mm

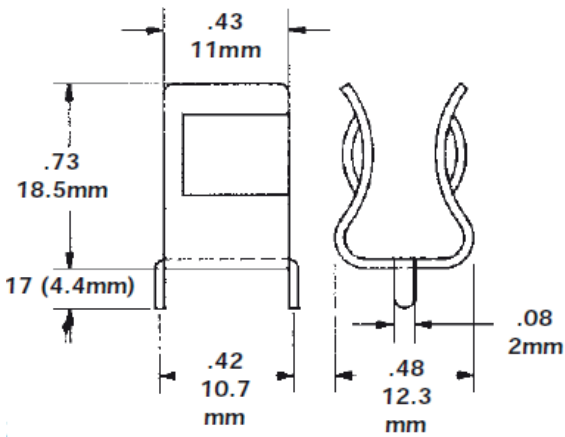
## DIMENSIONS



SDC5 - R219596



SDC6 - K222051



SDC7 - T222795

MERSEN reserves the right to change, update or correct, without notice, any information contained in this datasheet.