

Modulostar® US10

Modular fuse-holders

FUSE HOLDERS, FUSE BASES AND SUPPORTS

UL/CSA FUSE HOLDERS



The innovative and comprehensive Modulostar® range of Mersen fuse-holders.

Modular fuse-holders are finger-safe under IEC standards to an IP20 grade of protection, including fuse changing (with the flick of a finger). Modular fuse-holders are available in 1, 2, 3 or 4 poles, with or without visual blown fuse indicator, in UL + IEC version.

Multi-pole units can also be field assembled by ordering pin-ties assembly kit.

Modulostar® range is made of tough and durable thermoplastic or thermoset material.

TECHNICAL DATA OVERVIEW

UL ratings AC	800 VAC, 32 A, 200 kA
UL ratings DC	1000 VDC, 32 A, 100 kA
Voltage AC	690 VAC
Voltage DC	690 VDC
Amper (A)	32 A
Rated operational current I_e	≤ 32 A
SCCR	200 kA
Mounting	Installation on to DIN rails to EN 60715
Product Size	For cylindrical fuse links 10x38.1 or Midget
Number of Poles	1 to 4 poles

FEATURES & BENEFITS

- Finger safe
- Degree of protection: IP20
- Optional visual blown fuse indicator
- DIN rail mounting
- Modular design
- Lockable
- Multi-pole assembly kit available
- Sealable in closed and open position
- Plastic material UL94V2 mini
- Flame retardant materials with glow wire flammability index to 960°C

APPLICATIONS

- All circuits up to 690V for protection of motors, transformers, low voltage distribution, control circuits, drive protection
- Non-load operation

STANDARDS

- UL Recognized Component, UL4248, guide IZLT2, file E52283
- CSA Certified C22.2, class 6225, file 32169
- IEC 60269-2 and IEC 60947-3
- RoHS Compliant
- Plastic material: NF 16101 & 16102 Requirement 2 Compliant



PRODUCT RANGE



US101

UltraSafe™ fuse holders for 10.3x38.1 fuse-links, without indicator

Catalog number	Reference number	Number of poles/phases	Design	Weight	Package
US10N	H305056	N	US10 neutral conductor	65.8 g	12
US101	B305050	1	US10 single pole	60.8 g	12
US101N	C305051	1+N	US10 single pole + neutral conductor	0.1316 kg	6
US102	D305052	2	US10 double pole	0.1216 kg	6
US103	E305053	3	US10 triple pole	0.1825 kg	4
US103N	F305054	3+N	US10 triple pole + neutral conductor	0.2633 kg	3
US104	G305055	4	US10 quadruple pole	0.25 kg	3



US101I

UltraSafe™ fuse holders for 10,3x38,1 fuse-links, with indicator

Catalog number	Reference number	Number of poles/phases	Design	Weight	Package
US101I	J305057	1	US10 single pole	62.5 g	12
US101NI	K305058	1+N	US10 single pole + neutral conductor	0.1316 kg	6
US102I	L305059	2	US10 double pole	0.1333 kg	6
US103I	M305060	3	US10 triple pole	0.1825 kg	4
US103NI	N305061	3+N	US10 triple pole + neutral conductor	0.2633 kg	3
US104I	P305062	4	US10 quadruple pole	0.2433 kg	3

TECHNICAL DATA

	US10	US101
Size	10x38	10x38
Number of poles/phases	1, 1+N, 2, 3, 3+N, 4	1, 1+N, 2, 3, 3+N, 4
UL ratings AC	800 VAC, 32 A, 200 kA	800 VAC, 32 A, 200 kA
UL ratings DC	1000 VDC, 32 A, 100 kA	1000 VDC, 32 A, 100 kA
Conventional free air thermal current with fuse links I_{th}	32 A	32 A
Power dissipation at I_{th}	3 W	3 W
Utilisation category	AC20B/DC20B	AC20B/DC20B
Rated insulation voltage U_i	690 V	690 V
SCCR	200 kA	200 kA
Rated impulse withstand voltage U_{imp}	6 kV	6 kV
Degree of protection	IP 20	IP 20
Voltage limit for blown fuse indicator	-	230 to 690V AC/DC
Indication System	-	with indicator
Operating temperature	-25°C to 60°C	-25°C to 60°C
Connection	Max. tightening torque: 2.2Nm (19lb-in) Rigid wire = 1-16mm ² (16-6AWG) Multistrand wire = 0.75-10mm ² (18-8AWG) PZ2 or flat 5.5x1mm screw drivers recommended (max. diameter 6mm)	Max. tightening torque: 2.2Nm (19lb-in) Rigid wire = 1-16mm ² (16-6AWG) Multistrand wire = 0.75-10mm ² (18-8AWG) PZ2 or flat 5.5x1mm screw drivers recommended (max. diameter 6mm)
Storage temperature	-25°C to 80°C	-25°C to 80°C

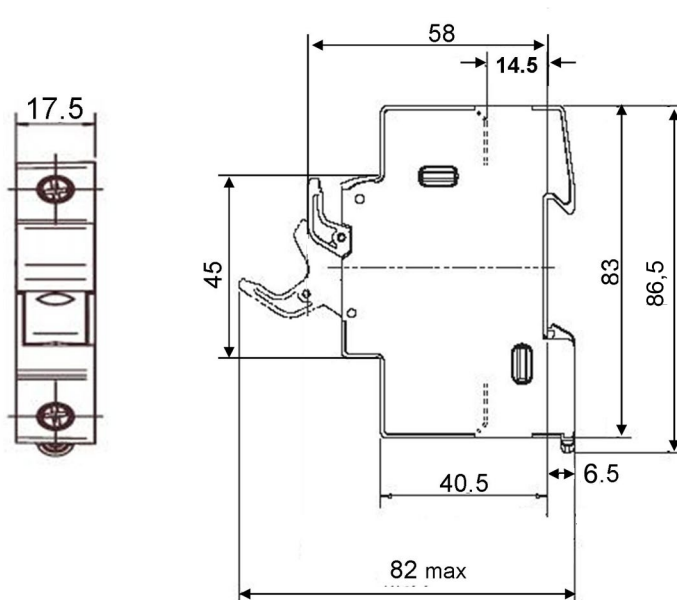
SPECIFIC USAGE CONDITIONS

Ambient temperature	>20°C	30°C	40°C	50°C	60°C
Derating factor (I _e)	1	0.95	0.9	0.8	0.7

No of poles (side by side)	1 to 3	>= 4
Derating factor of current (I _{th})	1	0.9

Nominal current of fuse-link gR	20 A	25 A	30 A	32 A
Max. operational current in fuse-holder	19 A	22 A	25 A	27 A
Cable wire section	2.5 mm ²	4 mm ²	6 mm ²	6 mm ²

DIMENSIONS



Dimensions in mm

ACCESSORIES



TAGLOCKCMS810

LOCK

Locking devices

Catalog number	Reference number	Description	Weight	Package
TAGLOCKCMS810	A235773	Locking kit (Tag and lockout)	9 g	1
LOCK	M223525	Padlock	0.475 kg	1

ACCESSORIES



TBB1A



TBB1C



TBB23A

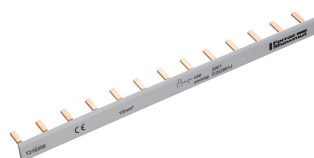


TBB23C

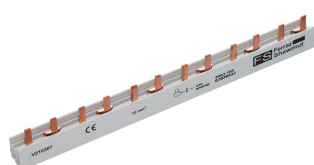
Power supply

Catalog number	Reference number	Description	Application	Weight	Package
TBB1A	D210315	1 phase axial incoming power supply	Max. rms current 90A	10.1 g	50
TBB1C	E210316	1 phase lateral incoming power supply	Max. rms current 90A	10 g	50
TBB23A	F210317	2 & 3 phases axial incoming power supply	Max. rms current 90A	23.3 g	50
TBB23C	G210318	2 & 3 phases lateral incoming power supply	Max. rms current 90A	23.1 g	50

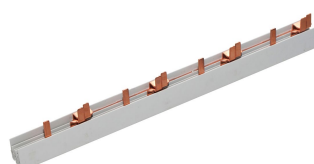
Wiring bars / Insulated bus bars



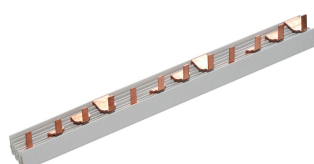
CMS810BB1F13



CMS810BB2F6



CMS810BB3F4



CMS810BB4F3

Catalog number	Reference number	Description	Application	Weight	Package
CMS810BB1F13	T210306	single pole, 10 mm ² , partition 17,5 mm (distance of poles), peg design, L-shaped	Max. rms current 63A, for installation of 13 modules	33.5 g	10
CMS810BB2F6	V210307	double pole, 10 mm ² , partition 17,5 mm (distance of poles), peg design, L-shaped	Max. rms current 63A, for installation of 6 modules	80 g	10
CMS810BB3F4	W210308	triple pole, 10 mm ² , partition 17,5 mm (distance of poles), peg design, L-shaped	Max. rms current 100A, for installation of 4 modules	84 g	10
CMS810BB4F3	X210309	quadruple pole, 10 mm ² , partition 17,5 mm (distance of poles), peg design, L-shaped	Max. rms current 100A, for installation of 3 modules	120 g	10

MERSEN reserves the right to change, update or correct, without notice, any information contained in this datasheet.