

Isolated USB 2 or 4 Port to RS-232 Converters

Models BB-USO9ML2-2P, BB-USO9ML2-4P



BB-USO9ML2-4P

FEATURES

- Connect multiple RS-232 devices to your USB port
- 2000 V RMS optical isolation; 15 KV ESD surge protection
- RS-232 data rates up to 460.8 kbps
- Supports USB 2.0 (backward compatible), 12 Mbps
- Desk or panel mount (flanges attached)
- USB port-powered or external power supply (not included, sold separately)
- High retention USB port ensures reliable connections
- Includes one USB cable, 1 m (3 ft)

Universal Serial Bus (USB) has become the connectivity workhorse of today's PCs, replacing the familiar serial ports. However, many commercial and industrial devices still use the RS-232 interface. To connect these devices to modern PCs and provide protection from electrical transients, you need a simple and reliable conversion solution.

Connect legacy RS-232 devices to a USB port and with 2000 V RMS port-to-port optical isolation from voltage spikes and ground loops.

Models BB-USO9ML2-2P and BB-USO9ML2-4P offer this solution. Simply plug the converter into an available USB port on your computer or USB hub and install the drivers. Automatic configuration - the device will show up as additional COM ports in the Windows Device Manager which are fully compatible with your Windows applications. A one meter USB cable is included.

Powered can be supplied by USB port powering or an external power source (not included, sold separately).

ORDERING INFORMATION

MODEL NUMBER	DESCRIPTION
BB-USO9ML2-2P	Isolated USB to 2-Port RS-232 Converter
BB-USO9ML2-4P	Isolated USB to 4-Port RS-232 Converter

ACCESSORIES - sold separately

BB-MDR-20-24 - Power Supply, 24 VDC, 1 A, DIN Rail Mount
BB-USBAMB-3F - 1 m (3 ft) USB Cable
BB-USBAMB-6F - 2 m (6 ft) USB Cable (one included)
BB-9PAMF6 - 2 m (6 ft) DB9 Male to DB9 Female Cable
BB-9PAMF10 - 3 m (10 ft) DB9 Male to DB9 Female Cable
BB-232NM9 - 3 m (6 ft) DB9 Female to DB9 Female Null Modem Cable
BB-232NM9MF10 - 3 m (10 ft) DB9 Male to DB9 Female Null Modem Cable

RS-232 PIN-OUT (DTE / DB9 MALE)

PIN	Direction	Signal Name
1	Input	DCD (Receive Line Signal Detector)
2	Input	RD (Receive Data)
3	Output	TD (Transmit Data)
4	Output	DTR (DTE Ready)
5	n/a	SG (Signal Ground)
6	Input	DSR (DCE Ready)
7	Output	RTS (Request to Send)
8	Input	CTS (Clear to Send)
9	Input	RI (Ring Indicator)

All product specifications are subject to change without notice.

BB-USO9ML2-2P & BB-USO9ML2-4P_4918ds

Isolated USB 2 or 4 Port to RS-232 Converters

Models BB-USO9ML2-2P, BB-USO9ML2-4P



BB-USO9ML2-2P

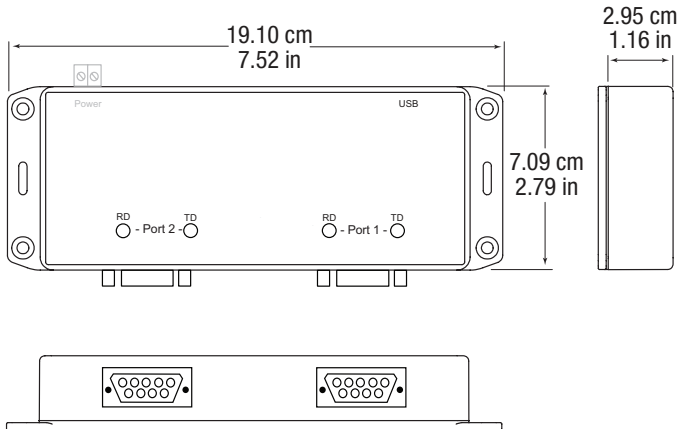
SPECIFICATIONS

SERIAL TECHNOLOGY	
RS-232 Configuration	DTE
RS-232 Connector	DB9 Male (DTE)
Data Rate	460.8 kbps (maximum)
Isolation	2000 V Optical (port-to-port)
Surge Protection	15 KV ESD
USB TECHNOLOGY	
Connector	USB Type B female, high retention withdrawal > 15 N
Standard	1.1 and 2.0 Compatible
Data Rate	12 Mbps
POWER	
Source	USB Port or External Source (Power supply not included, sold separately)
Input Voltage	5 VDC from USB Port or 10 - 30 VDC External Power Supply
Consumption	Higher Power Device (>100 mA) BB-USO9ML2-2P: 3 Watts, External Power Supply BB-USO9ML2-4P: 5 Watts, External Power Supply
SOFTWARE	
Driver CD	Windows 2000, XP, Vista, 7 (32/64 bit), 10 (32/64 bit)

SPECIFICATIONS - continued

MECHANICAL	
Dimensions – with flanges	19.10L x 7.09W x 2.95H cm (7.52L x 2.79W x 1.16H in)
Weight	BB-USO9ML2-2P: 331.1 g (0.73 lbs) BB-USO9ML2-4P: 349.3 g (0.77 lbs)
ENVIRONMENTAL	
Operating Temperature	0 to +70 °C (+32 to +158 °F)
Storage Temperature	-40 to +85 °C (-40 to +185 °F)
Operating Humidity	0 to 95%, non-condensing
MEANTIME BETWEEN FAILURES (MTBF)	
MTBF	BB-USO9ML2-2P: 118245 hours BB-USO9ML2-4P: 61861 hours
MTBF Method	Parts Count Reliability Prediction
APPROVALS, DIRECTIVES, STANDARDS	
FCC, UL508 (File Number E222870)	

MECHANICAL DIAGRAM - BB-USO9ML2-2P



MECHANICAL DIAGRAM - BB-USO9ML2-4P

