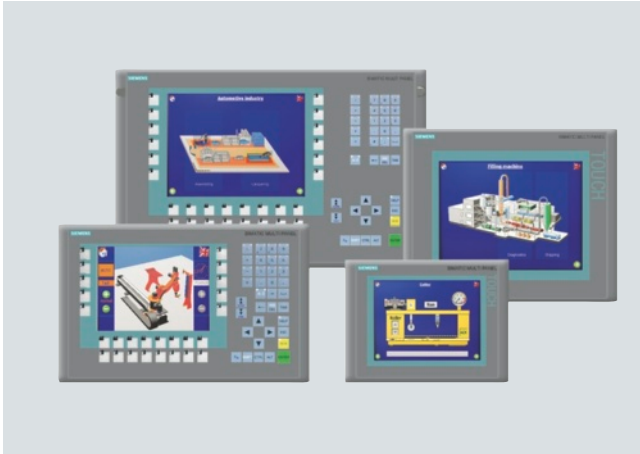


Overview



- Like operator panels, Multi Panels (MP) are used for local machine operation and monitoring
- Content of message buffer is retained even when panel is disconnected, without batteries
- PLC functionality can be integrated directly into the MP277 platform with Option
- Their functionality can be expanded by the installation of additional Windows CE applications (Multi Panel and Panel options)
- SIMATIC MP 277 devices on the basis of Windows CE combine the rugged construction of Operator Panels with the flexibility of PCs
- Pixel-graphics 7.5" or 10.4" TFT display, color (64k colors)
- MP 277 8" and MP 277 10" Touch:
Touch screen (analog/resistive)
MP 277 8" Key:
38 system keys, 26 user-configurable and freely inscribable function keys (18 with LEDs)
MP 277 10" Key:
38 system keys, 36 user-configurable and freely inscribable function keys (28 with LEDs)
- The MP 277 is also available with a stainless steel front panel and therefore meets the high requirements of, e.g. the food and beverage industry.
- All interfaces, e.g. MPI, PROFIBUS DP, USB, PROFINET (Ethernet TCP/IP), are onboard

Benefits

- Integral component of Totally Integrated Automation (TIA): Increased productivity, minimum engineering overhead, reduction in life-cycle costs
- Modular expansion with options such as:
 - WinAC MP 277/Software PLC
 - WinCC flexible /Sm@rtAccess for communication between different SIMATIC HMI systems
 - WinCC flexible /Sm@rtService for remote maintenance and servicing of machines/plants via the intranet/Internet
 - WinCC flexible /OPC-Server for communication with applications from various manufacturers
 - Microsoft Pocket Internet Explorer (already included in scope of delivery)
 - WinCC flexible /ProAgent for selective and fast process fault diagnostics in systems and machines
 - WinCC flexible /Audit for user management (tracing and user operations)
- Reduction of service and commissioning costs through:
 - Backup/restore via Ethernet (TCP/IP), USB, MPI, PROFIBUS DP or optionally via SD/Multi Media Card
 - Remote download/upload of the configuration and firmware (Remote = automatic transfer recognition)
 - Specific drivers can be reloaded
 - Long service life of backlit display
- Graphic library available with off-the-shelf picture objects
- Can be used worldwide:
 - 32 languages can be configured (incl. Asian and Cyrillic character sets)
 - Up to 16 languages can be switched online
- Standard hardware and software interfaces for increasing flexibility:
 - SD/MultiMediaCard slot for memory expansions, backup/restore or additional interfaces
 - Ethernet (TCP/IP) for central data and project management
 - Ethernet; control link possible to SIMATIC S7
 - Standard Windows storage formats (CSV) for archives and recipes permit further processing with standard tools (e.g. Microsoft Excel)

Application

These are used in the most diverse industries and applications and can be expanded in their applications with the Multi Panel options, e.g. by displaying HTML documents via the MS Pocket Internet Explorer, or by integrating the control functionality with WinAC MP 277.

The diskless and fanless design permits their use even where dust or vibration limits the use of a PC. Short power-up times mean the Multi Panels are soon ready to use.

Operator panels

Multi Panels – 270 series

SIMATIC MP 277

Design

- Compact design with low mounting depth
- The front is resistant to various oils, greases and standard detergents
- Degree of protection IP65/NEMA 4x/NEMA 12 (front) or IP20 (rear)
- Plug-in terminals for 24 V DC power supply
- Interfaces:
 - RS 485/ RS 422 interface for process connections (PPI, MPI, PROFIBUS DP up to 12 Mbit/s)
 - USB for memory stick, mouse, keyboard, printer, barcode reader, UPS and downloading/uploading the configuration
 - Ethernet (TCP/IP) for exchanging data with a higher-level PC, connection of a network printer and downloading/uploading the configuration; a control link to SIMATIC S7 is possible
- Slot for SD/MultiMedia card

Function

- Display and modification of process parameters
- Function keys (for MP 277 8" Key and MP 277 10" Key only) for direct triggering of functions and actions. Up to 16 functions can be configured simultaneously on function keys.
- Process display:
 - VGA resolution (640 x 480 pixels) each with 64k colors for pixels
 - Vector graphics (various line and surface objects)
 - Dynamic positioning and dynamic showing/hiding of objects
 - Pixel-graphic displays, curves and bar displays
 - Presentation of up to 8 curves in a curve field; curve graphics with paging and zoom functions for access to the history and for flexible selection of the presentation time; reading ruler for determining the current values and displaying them in a table
 - Extensive symbol libraries (SIMATIC HMI symbol library)
 - Screen objects: Slider, gauge, clock
 - Cyclic function processing using timers
- Multiplex function for variables
- Signaling system
 - Bit messages and analog messages (limit value messages)
 - Freely-definable message classes (e.g. status/fault messages) for definition of acknowledgment response and display of message events
 - Status and fault messages with message history
 - Non-volatile, maintenance-free message buffer
 - Message window and message line

- Archiving of messages and process values (on CF/SD/ MultiMedia card/USB, etc., or network drives over Ethernet)
 - Various archive types: Circulating and sequence archive
 - Storage of archive data in standard Windows format (CSV)
 - Online evaluation of process value archives through trend curves
 - External processing using standard tools (MS Excel and MS Access) is possible
- Message log and shift log
- Print functions (see "Recommended printers")
- Language selection
 - 16 online languages, 32 configuration languages incl. Asian and Cyrillic character sets; language-dependent texts and graphics
- Recipe management
 - With additional data storage (on SD/MultiMedia card)
 - Online/offline processing on the panel
 - Storage of recipe data in standard Windows format (CSV)
 - External processing using standard tools (Microsoft Excel and Access) is possible
- TIA Runtime Functionalities
 - Direct keys (fast keys; with Key as keyboard image, with Touch freely customizable) used directly as PROFIBUS DP- or PROFINET IO input I/Os
 - With Key versions, LEDs additional as output I/Os
 - In addition, message process Alarm S with SIMATIC S7 and SIMOTION
 - Programming device functionality STATUS/FORCE-VAR in conjunction with SIMATIC S7
 - SIMATIC barcode scanner
 - Direct activation and evaluation of a SITOP UPS via USB
- Display selection from the PLC supports operator prompting from the PLC
- Presentation of HTML documents with MS Pocket Internet Explorer/WinCC flexible 2007 or higher
- Visual Basic Script, flexibility thanks to the implementation of new functions including linking to variables (comparison operations, loops, etc.)
- Help texts for process displays, messages, and variables
- Arithmetic functions
- Limit value monitoring for reliable process control of inputs and outputs
- Permanent window; Fixed top area of screen for outputting non-screen-specific information (e.g., important process values, date and time)

Function (continued)

- Simple maintenance and configuration thanks to:
 - Save and load (Backup/Restore -> Image) of complete (incl. License Keys as of WinCC flexible 2007) panel on an SD/MultiMedia Card (optional), also possible with remote access (Sm@rtService)
 - Save and load (Backup/Restore -> Image) of complete (besides License Key) panel on a PC
 - Configuration download via Ethernet/USB/MPI/PROFIBUS DP/Modem/http
 - Configuration upload over Ethernet/USB/MPI/PROFIBUS DP/modem/http, the project is compressed during the download and transferred to the SD/MultiMedia Card or USB stick (optional)
 - Automatic Transfer Recognition (Remote Transfer)
 - Configuration simulation directly on the configuration computer
 - Import/export of all texts incl. messages in CSV format for translation using standard text processing programs
 - Centrally modifiable project-specific faceplates
- Template
 - Creation of screen templates:
 - Position-independent configuration of background objects
- Password system
 - User-oriented access protection according to requirements of specific sectors
 - Authentication with user ID and password
 - User-group-specific rights
- Service functions (optionally with "WinCC flexible /Sm@rtService")
 - Email generation
 - Remote control of the SIMATIC HMI system based on Internet Explorer
 - Web server with status HTML pages and control functions
- Client/server functions (optionally with "WinCC flexible /Sm@rtAccess")
 - Remote operation and monitoring from other SIMATIC HMI systems
 - Plant-wide requests for information and archiving of process data

Configuration

The configuration is implemented using the SIMATIC WinCC Comfort engineering software. Projects generated with WinCC flexible can be migrated to WinCC.

Applications/options

- WinAC MP software PLC for Multi Panels
WinAC MP 277 option for MP 277 (software PLC similar to performance class CPU 315)
The I/O can be connected via PROFIBUS DP
- Sm@rtServer:
Remote control and monitoring as well as communication between different SIMATIC HMI systems
- OPC server:
Communication with applications (e.g. MES, ERP, or applications in the office sector) from various manufacturers

Integration

The MP 277 can be connected in certain cases simultaneously (multiprotocol-capable) to:

- SIMATIC S7-200/-300/-400
- SIMATIC WinAC Software/Slot PLC
- SIMATIC WinAC MP
- SIMATIC S5
- SIMATIC 505
- http communication with other SIMATIC HMI systems
- SIMOTION
- SINUMERIK (optionally with "SINUMERIK HMI copy license WinCC flexible CE"; "SINUMERIK HMI engineering package WinCC flexible" is additionally required for configuring; For further details, see Catalog NC 60)
- OPC XML server
- Third-party controllers
 - Allen Bradley
 - Mitsubishi
 - LG GLOFA GM
 - Modicon
 - GE-Fanuc
 - Omron
 - Telemecanique Uni-Telway
- Via Ethernet (TCP/IP) to a higher-level PC, with enabled network printer

Note:

Further information can be found under "System interfaces".

Operator panels

Multi Panels – 270 series

SIMATIC MP 277

Technical specifications

Product type designation	6AV6 643-0CB01-1AX1 8" Color Touch	6AV6 643-0CD01-1AX1 10" Color Touch	6AV6 643-0DB01-1AX1 8" Color Keyboard	6AV6 643-0DD01-1AX1 10" Color Keyboard
Display				
Size	7.5"	10.4"	7.5"	10.4"
Display type	TFT, 65536 colors	TFT, 65536 colors	TFT, 65536 colors	TFT, 65536 colors
Resolution (pixels)				
• Resolution (WxH in pixel)	640 x 480	640 x 480	640 x 480	640 x 480
Backlighting				
• MTBF backlighting (at 25 °C)	about 50,000 hours	about 50,000 hours	about 50,000 hours	about 50,000 hours
Control elements				
Control elements	Touch screen	Touch screen	Membrane keyboard	Membrane keyboard
Function keys, programmable			26 function keys, 18 with LEDs	36 function keys, 28 with LEDs
Connection for mouse/keyboard/barcode reader	USB / USB / USB	USB / USB / USB	USB / USB / USB	USB / USB / USB
Keyboard				
• System keys			36	36
• Numeric/alphabetical input	Yes / Yes	Yes / Yes	Yes / Yes	Yes / Yes
Touch operation				
• Touch screen	analog, resistive	analog, resistive		
Supply voltage				
Input voltage				
• permissible range	+20.4 V to +28.8 V DC	+20.4 V to +28.8 V DC	+20.4 V to +28.8 V DC	+20.4 V to +28.8 V DC
• Supply voltage	24 V DC	24 V DC	24 V DC	24 V DC
Processor				
Processor	ARM	ARM	ARM	ARM
Memory				
Type	Flash / RAM	Flash / RAM	Flash / RAM	Flash / RAM
Usable memory for user data	6 MB usable memory for user data	6 MB usable memory for user data	6 MB usable memory for user data	6 MB usable memory for user data
Type of output				
LED colors			Green	Green
Time of day				
Clock				
• Type	Hardware clock, battery backup, synchronizable	Hardware clock, battery backup, synchronizable	Hardware clock, battery backup, synchronizable	Hardware clock, battery backup, synchronizable
Interfaces				
Interfaces	1 x RS422, 1 x RS485, 1 x Ethernet (RJ45)	1 x RS422, 1 x RS485, 1 x Ethernet (RJ45)	1 x RS422, 1 x RS485, 1 x Ethernet (RJ45)	1 x RS422, 1 x RS485, 1 x Ethernet (RJ45)
USB port	2 x USB	2 x USB	2 x USB	2 x USB
Multi Media Card slot	1 x Multi Media Card slot	1 x Multi Media Card slot	1 x Multi Media Card slot	1 x Multi Media Card slot
Industrial Ethernet				
• Industrial Ethernet interface	1 x Ethernet (RJ45)	1 x Ethernet (RJ45)	1 x Ethernet (RJ45)	1 x Ethernet (RJ45)
Ambient conditions				
Operating temperature				
• Operation	0 °C to +50 °C	0 °C to +50 °C	0 °C to +50 °C	0 °C to +50 °C
Storage/transport temperature				
• Transport, storage	-20 °C to +60 °C	-20 °C to +60 °C	-20 °C to +60 °C	-20 °C to +60 °C
Relative humidity				
• max. relative humidity	90 %	90 %	90 %	90 %
Mounting position	vertical	vertical	vertical	vertical
maximum permissible angle of inclination without external ventilation	+/- 35 °	+/- 35 °	+/- 35 °	+/- 35 °

Technical specifications (continued)

Product type designation	6AV6 643-0CB01-1AX1 8" Color Touch	6AV6 643-0CD01-1AX1 10" Color Touch	6AV6 643-0DB01-1AX1 8" Color Keyboard	6AV6 643-0DD01-1AX1 10" Color Keyboard
Degree and class of protection				
Front	IP65, NEMA 4x, (when installed)	IP65, NEMA 4x, (when installed)	IP65, NEMA 4x, (when installed)	IP65, NEMA 4x, (when installed)
Rear	IP20	IP20	IP20	IP20
Standards, approvals, certificates				
Certifications	CE, FM Class I Div. 2, UL, cULus, EX-Zone 22, NEMA 4x (Enclosure Type 4X, Type 12)	CE, FM Class I Div. 2, UL, cULus, EX-Zone 22, NEMA 4x (Enclosure Type 4X, Type 12)	CE, UL, cULus, NEMA 4x (Enclosure Type 4X, Type 12)	CE, FM Class I Div. 2, UL, cULus, EX-Zone 22, NEMA 4x (Enclosure Type 4X, Type 12)
Operating systems				
Operating system	Windows CE	Windows CE	Windows CE	Windows CE
Configuration				
Configuration software	see "Configuration overview" from page 2/3			
Functionality under WinCC flexible/WinCC (TIA portal)				
Applications/options	see chapter 4: HMI software/SIMATIC WinCC flexible options and SIMATIC WinCC (TIA portal) options			
Number of Visual Basic Scripts	50	50	50	50
Task planner	Yes	Yes	Yes	Yes
Help system	Yes	Yes	Yes	Yes
Status/control	with SIMATIC S7	with SIMATIC S7	with SIMATIC S7	with SIMATIC S7
With alarm logging system (incl. buffer and acknowledgment)				
• Number of messages	4 000	4 000	4 000	4 000
• Bit messages	Yes	Yes	Yes	Yes
• Analog messages	Yes	Yes	Yes	Yes
• Message buffer	Ring buffer (n x 512 entries), retentive, maintenance-free	Ring buffer (n x 512 entries), retentive, maintenance-free	Ring buffer (n x 512 entries), retentive, maintenance-free	Ring buffer (n x 512 entries), retentive, maintenance-free
Recipes				
• Recipes	300	300	300	300
• Data records per recipe	500	500	500	500
• Entries per data record	1000	1000	1000	1000
• Recipe memory	64 KB integrated Flash, expandable	64 KB integrated Flash, expandable	64 KB integrated Flash, expandable	64 KB integrated Flash, expandable
Number of process images				
• Process images	500	500	500	500
• Variables	2 048	2 048	2 048	2 048
• Limit values	Yes	Yes	Yes	Yes
• Multiplexing	Yes	Yes	Yes	Yes
Image elements				
• Text objects	10,000 text elements	10,000 text elements	10,000 text elements	10,000 text elements
• Graphic object	Bit maps, icons, vector graphics	Bit maps, icons, vector graphics	Bit maps, icons, vector graphics	Bit maps, icons, vector graphics
• dynamic objects	Diagrams, bar graphs, sliders, analog display, invisible buttons	Diagrams, bar graphs, sliders, analog display, invisible buttons	Diagrams, bar graphs, sliders, analog display, invisible buttons	Diagrams, bar graphs, sliders, analog display, invisible buttons

Operator panels

Multi Panels – 270 series

SIMATIC MP 277

Technical specifications (continued)

Product type designation	6AV6 643-0CB01-1AX1 8" Color Touch	6AV6 643-0CD01-1AX1 10" Color Touch	6AV6 643-0DB01-1AX1 8" Color Keyboard	6AV6 643-0DD01-1AX1 10" Color Keyboard
Lists				
• Text lists	500	500	500	500
• Graphic list	400	400	400	400
• Libraries	Yes	Yes	Yes	Yes
Archiving				
• Number of archives per project	20	20	20	20
• Number of measuring points per project	20	20	20	20
• Number of entries per archive	10 000	10 000	10 000	10 000
• Memory location	SD and Multi Media Card	SD and Multi Media Card	SD and Multi Media Card	SD and Multi Media Card
Security				
• Number of user groups	50	50	50	50
• Passwords exportable	Yes	Yes	Yes	Yes
• Number of user rights	32	32	32	32
Data carrier support				
• Multimedia Card	Yes	Yes	Yes	Yes
Recording				
• Recording/Printing	Alarms, report (shift report), color print, hardcopy	Alarms, report (shift report), color print, hardcopy	Alarms, report (shift report), color print, hardcopy	Alarms, report (shift report), color print, hardcopy
Fonts				
• Keyboard fonts	US American (English)	US American (English)	US American (English)	US American (English)
Languages				
• Configuration languages	D, GB, F, I, E, CHN "traditional", CHN "simplified", DK, FIN, GR, J, KP / ROK, NL, N, PL, P, RUS, S, CZ / SK, TR, H	D, GB, F, I, E, CHN "traditional", CHN "simplified", DK, FIN, GR, J, KP / ROK, NL, N, PL, P, RUS, S, CZ / SK, TR, H	D, GB, F, I, E, CHN "traditional", CHN "simplified", DK, FIN, GR, J, KP / ROK, NL, N, PL, P, RUS, S, CZ / SK, TR, H	D, GB, F, I, E, CHN "traditional", CHN "simplified", DK, FIN, GR, J, KP / ROK, NL, N, PL, P, RUS, S, CZ / SK, TR, H
• Character sets	Tahoma, Arial, Courier New, WinCC flexible Standard, symbol languages, all freely scalable	Tahoma, Arial, Courier New, WinCC flexible Standard, symbol languages, all freely scalable	Tahoma, Arial, Courier New, WinCC flexible Standard, symbol languages, all freely scalable	Tahoma, Arial, Courier New, WinCC flexible Standard, symbol languages, all freely scalable
Transfer (upload/download)				
• Transfer of configuration	MPI/PROFIBUS DP, USB, Ethernet, automatic transfer recognition	MPI/PROFIBUS DP, USB, Ethernet, automatic transfer recognition	MPI/PROFIBUS DP, USB, Ethernet, automatic transfer recognition	MPI/PROFIBUS DP, USB, Ethernet, automatic transfer recognition
Process coupling				
• Connection to controller	see "System interfaces" from page 2/178			
Expandability/openness				
• Open Platform Program	Yes	Yes	Yes	Yes
I/O				
I/O devices	Printer, barcode reader	Printer, barcode reader	Printer, barcode reader	Printer, barcode reader
Dimensions and weight				
Dimensions				
• Front of enclosure (W x H)	240 mm x 180 mm	325 mm x 263 mm	352 mm x 221 mm	483 mm x 310 mm
• Mounting cutout/device depth (W x H)	226 mm x 166 mm / 60 mm device depth	310 mm x 248 mm / 61 mm device depth	338 mm x 206 mm / 61 mm device depth	434 mm x 291 mm / 60 mm device depth
Weight				
• Weight	1.61 kg	2.65 kg	2.25 kg	4.95 kg

Ordering data	Order No.	Order No.
SIMATIC MP 277 Multi Panel (including mounting accessories) with <ul style="list-style-type: none"> • 8" color TFT display, Touch • 10" color TFT display, Touch • 8" color TFT display, keyboard • 10" color TFT display, keyboard 	E 6AV6 643-0CB01-1AX1 E 6AV6 643-0CD01-1AX1 E 6AV6 643-0DB01-1AX1 E 6AV6 643-0DD01-1AX1	Starter package 636K WinAC MP Consisting of: <ul style="list-style-type: none"> • SIMATIC MP 277 8" Key with mounting accessories, mounting gasket, and power connector • SIMATIC WinAC MP incl. single license on USB stick and electronic documentation • SD Card 256 KB (blank) • ET200M incl. <ul style="list-style-type: none"> - 32 DI, 16 DO, 8 AI, 2 AO - Front connector, bus connector, and mounting rail
SIMATIC MP 277 8" Touch Starter Package Consisting of: <ul style="list-style-type: none"> • SIMATIC MP 277 8" Touch • SIMATIC WinCC flexible 2007 • SIMATIC HMI Manual Collection • MPI cable, 5 m (for download and test purposes only) • PC/PPI cable (RS 232) 	E 6AV6 652-3MB01-0AA0	Starter package 636T WinAC MP Consisting of: <ul style="list-style-type: none"> • SIMATIC MP 277 10" Touch with mounting accessories, mounting seal, power supply connector • SIMATIC WinAC MP including single license on a USB flash drive and electronic documentation • SD Card 256 KB (blank) • ET200M incl. <ul style="list-style-type: none"> - 32 DI, 16 DO, 8 AI, 2 AO - Front connector, bus connector, and mounting rail
SIMATIC MP 277 10" Touch Starter Package Consisting of: <ul style="list-style-type: none"> • SIMATIC MP 277 10" Touch • SIMATIC WinCC flexible 2007 • SIMATIC HMI Manual Collection • MPI cable, 5 m (for download and test purposes only) • PC/PPI cable (RS232) 	E 6AV6 652-3PB01-0AA0	Complete pre-assembled packages SIMATIC MP 277 with WinAC MP 2007
Promotion package Consisting of: <ul style="list-style-type: none"> • SIMATIC MP 277 10" Touch • SIMATIC THIN CLIENT 10" Touch • SIMATIC WinCC flexible 2008 • SIMATIC HMI Manual Collection • Ethernet cable, 2 m • MPI cable, 5 m (for download and test purposes only) • Sm@rtAccess (Single License) 	E 6AV6 652-3PB01-2AA0	Package MP 277 8" Touch <ul style="list-style-type: none"> • MP 277 8" Touch • Electronic documentation • Single license for MP 277 on USB flash drive¹⁾ • Standard SD Card (empty)
Starter package 635K WinAC MP Consisting of: <ul style="list-style-type: none"> • SIMATIC MP 277 8" Key with mounting accessories, mounting seal, power supply connector • SIMATIC WinAC MP incl. single license on USB stick and electronic documentation • SD card 256 KB (empty) • ET200M incl. <ul style="list-style-type: none"> - 32 DI, 16 DO, 8 AI, 2 AO - FM350-2 8-channel counter - Front connector, bus connector, and mounting rail 	E 6AV6 652-3LD01-1AA1	Package MP 277 8" Key <ul style="list-style-type: none"> • MP 277 8" Key • Electronic documentation • Single license for MP 277 on USB flash drive¹⁾ • Standard SD Card (empty)
		Package MP 277 10" Touch <ul style="list-style-type: none"> • MP 277 10" Touch • Electronic documentation • Single license for MP 277 on USB flash drive¹⁾ • Standard SD Card (empty)
		Package MP 277 10" Key <ul style="list-style-type: none"> • MP 277 10" Key • Electronic documentation • Single license for MP 277 on USB flash drive¹⁾ • Standard SD Card (empty)

E: Subject to export regulations: AL: 91999 and ECCN: 5D002ENCU

1) Can only be used for license handling

Operator panels

Multi Panels – 270 series

SIMATIC MP 277

2

Ordering data	Order No.	Order No.
Configuration With SIMATIC WinCC flexible or SIMATIC WinCC	see HMI Software	
Configuration set D Consisting of: <ul style="list-style-type: none"> WinCC flexible Standard engineering software Documentation DVD, 5 languages (English, French, German, Italian, Spanish) RS 232 cable (5 m) MPI cable, 5 m 	6AV6 622-0BA01-0AA0	WinCC flexible Compact/Standard/Advanced User Manual <ul style="list-style-type: none"> German 6AV6 691-1AB01-3AA0 English 6AV6 691-1AB01-3AB0 French 6AV6 691-1AB01-3AC0 Italian 6AV6 691-1AB01-3AD0 Spanish 6AV6 691-1AB01-3AE0
Applications/Options For configuration with WinCC flexible <ul style="list-style-type: none"> WinCC flexible /Sm@rtAccess WinCC flexible /Sm@rtService WinCC flexible /OPC server WinCC flexible /ProAgent WinCC flexible /Audit WinAC MP 2007/Software PLC 	see HMI Software	User Manual WinCC flexible Communication <ul style="list-style-type: none"> German 6AV6 691-1CA01-3AA0 English 6AV6 691-1CA01-3AB0 French 6AV6 691-1CA01-3AC0 Italian 6AV6 691-1CA01-3AD0 Spanish 6AV6 691-1CA01-3AE0
Documentation (to be ordered separately) MP 277 Operating Instructions <ul style="list-style-type: none"> German 6AV6 691-1DJ01-0AA0 English 6AV6 691-1DJ01-0AB0 French 6AV6 691-1DJ01-0AC0 Italian 6AV6 691-1DJ01-0AD0 Spanish 6AV6 691-1DJ01-0AE0 		SIMATIC HMI Manual Collection B 6AV6 691-1SA01-0AX0 Electronic documentation, on DVD 5 languages (English, French, German, Italian and Spanish); contains: all currently available user manuals, manuals and communication manuals for SIMATIC HMI
		Accessories see HMI accessories

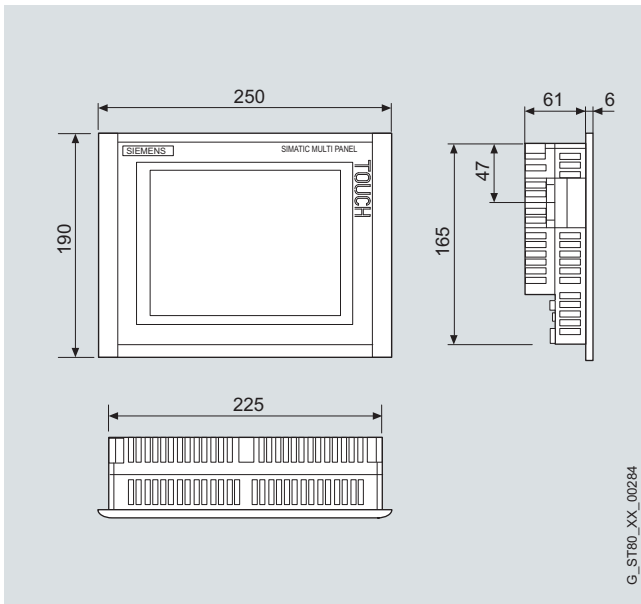
B: Subject to export regulations: AL: N and ECCN: EAR99S

D: Subject to export regulations: AL: N and ECCN: 5D992

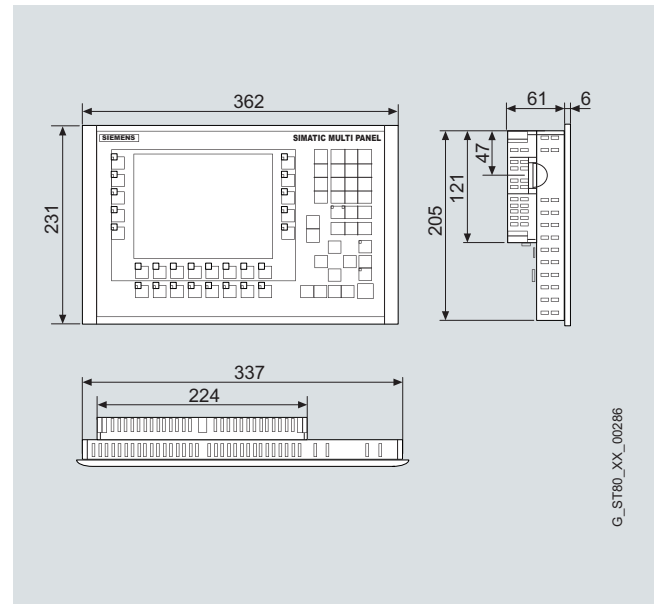
E: Subject to export regulations: AL: 9I999 and ECCN: 5D002ENCU

Dimensional drawings

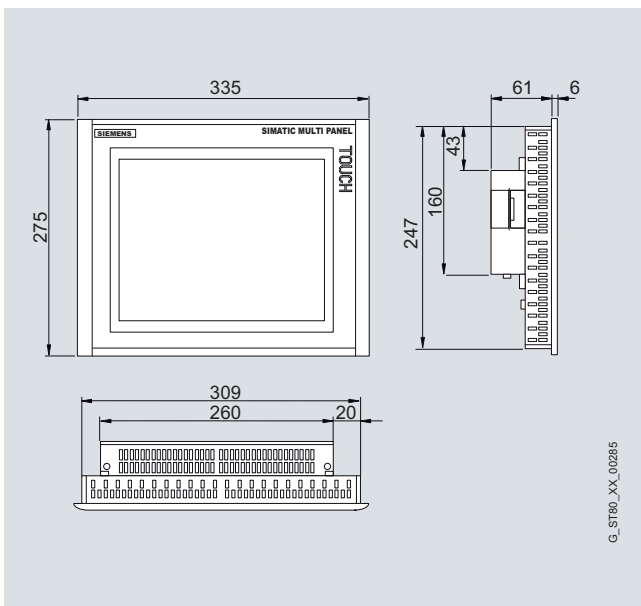
All specifications in mm (tolerance ± 1 mm). Panel cutout see technical specifications.



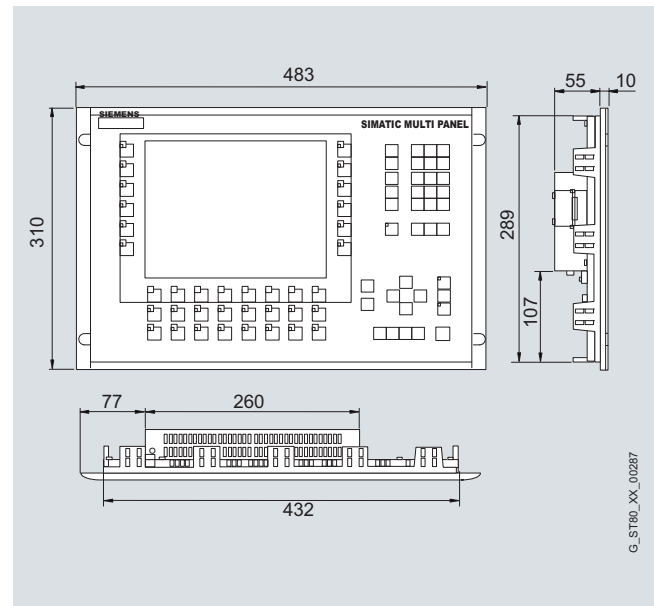
MP 277 8" Touch



MP 277 8" Key



MP 277 10" Touch



MP 277 10" Key

More information

Additional information is available on the Internet at:

www.siemens.com/simatic-multi-panels

Note:

Do you require a specific modification or extension to the products described here? Under "Customized products", you can find information about additional and generally available products for the sector, and about the possibilities for customized modification and adaptation.