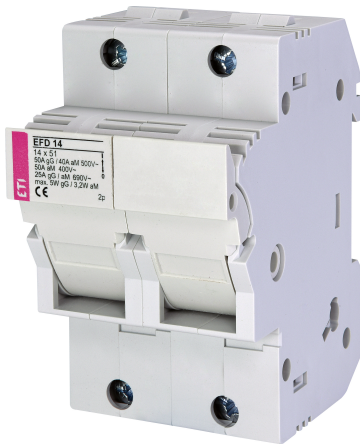


EFD 14 2p



Specifications

ETI Code	002560003
Description	EFD 14 2p
Weight	206
Level	Fuse-switch disconnectors
Rated current (A)	50
Type	EFD 14 2p
Size	EFD 14
Product group	LV-fuse-switch disconnecter
Rated AC voltage (V)	690
Utilization category	AC22B
Mounting	DIN

Online product page

Other documentation



Technical data catalogue

3D Model

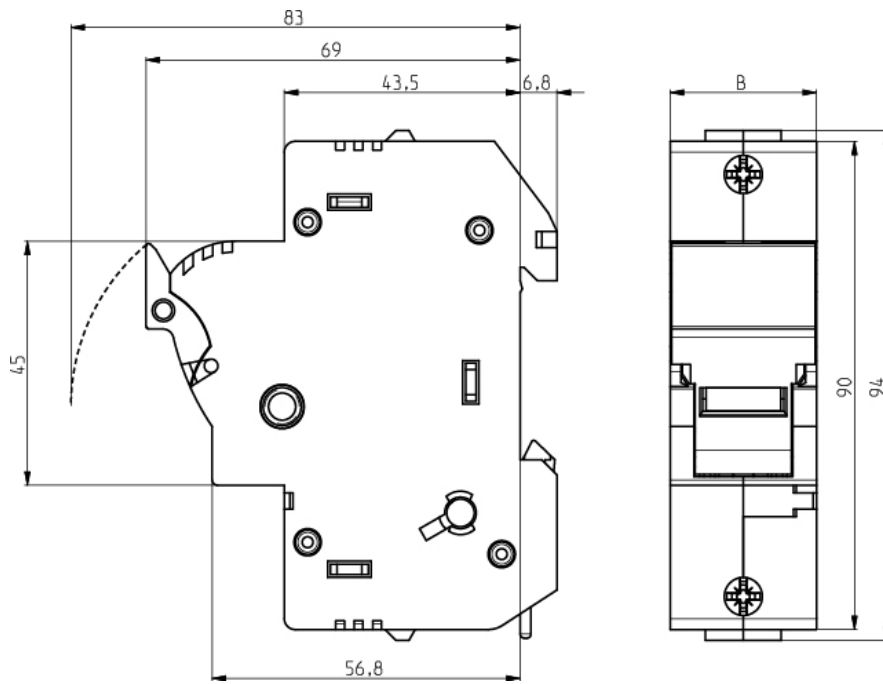
EU declaration



ETIM international classification

Number of poles	2
For fuse size	14x51 mm

Dimension drawing



	B
EFD 14 1p	27
EFD 14 1p+N	54
EFD 14 2p	54
EFD 14 3p	81
EFD 14 3p+N	108