

# TPM-3210

**Arestech**

Industrial 10.4" LED Projected Capacitive  
Multi-touch Display



## Features

- 10.4" LED SVGA LCD Panel up to 800 x 600 Resolution
- 5-wire Resistive / Projected Capacitive Touch Technology
- 12-24 V DC Power Input Pluggable Terminal Block
- RS-232 and USB Touch Interfaces
- -20~60° C Operating Temperature
- Panel and VESA Mounting

## Applications

- Embedded HMI Display System
- Factory / Manufacturing Automation
- ATM / Self-service / Kiosk Applications
- Vending / Ticketing Machines

## → Packing List

| Description                                       |
|---|
| 1 x TPM-3210 / TPM-3110                           |
| 1 x Driver CD                                     |
| 1 x USB Cable                                     |
| 1 x VGA Cable                                     |
| 1 x Power Adapter<br>(AC-to-DC, 12 V @ 5 A, 60 W) |
| 6 x Panel Mounting Screws                         |

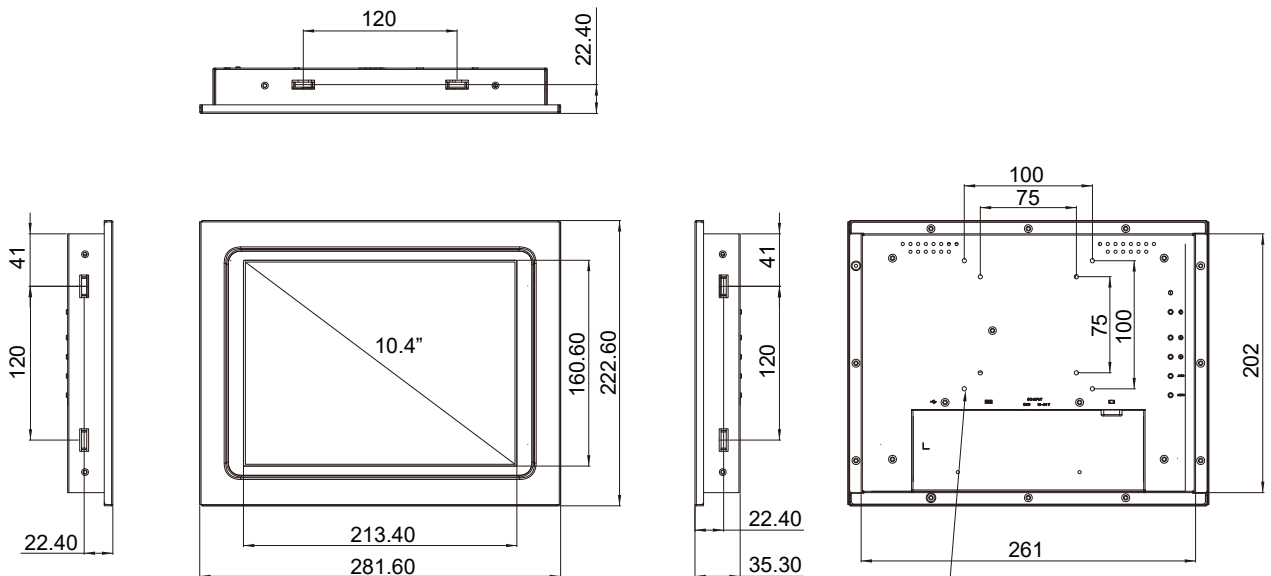
## → Optional Items

| Part No.    | Description                           |
|-------------|---------------------------------------|
| ACS-PS-US   | Power Cable 3-pin, 180 cm, USA Type   |
| ACS-PS-EU   | Power Cable 3-pin, 180 cm, Euro Type  |
| ACS-PS-CN   | Power Cable 3-pin, 180 cm, China Type |
| ACS-100-STD | VESA Table Stand                      |

## → Ordering Information

| Part No.      | Description   |
|---------------|---|
| TPM-3210P-A1E | 10.4" SVGA Industrial Ultra-slim Projected Capacitive Multi-touch Display |
| TPM-3210R-A1E | 10.4" SVGA Industrial Ultra-slim Resistive Touch Display                  |
| TPM-3110R-A1E | 10.4" SVGA Industrial Ultra-slim Resistive Touch Open Frame               |

## → Dimensions



1. Screw Length Limitation: 5mm (Calculated from monitor's back cover)
2. Screw Spec Limitation: M4 size

Cut out: 263 \* 204mm

## → Specifications

| Model         |                             | TPM-3210P   | TPM-3210R          |
|---------------|-----------------------------|---|--------------------|
| Display       | Panel Size                  | 10.4" LED LCD Panel   |                    |
|               | Resolution                  | 800 x 600 (SVGA)  |                    |
|               | Viewing Angle               | 80 x 80 (H), 60 x 70 (V)  |                    |
|               | Brightness                  | 230 (cd/m2)   |                    |
|               | Color Support               | 16.2 M / 262 K  |                    |
|               | Contrast Ratio              | 500:1   |                    |
|               | Response Time               | 35 (msec)   |                    |
| Touchscreen   | Type                        | Projected Capacitive  | 5-Wire Resistive   |
|               | Surface Hardness            | 7 Mohs  | 3 Mohs             |
|               | Durability                  | -   | 10 million touches |
|               | Transparency                | 90% (±3%)   | 80% (±3%)          |
| I/O Interface | Video Interface             | 1 VGA   |                    |
|               | Touch Interface             | Projected Capacitive (for USB only) / 5-Wire Resistive (for USB and RS-232)   |                    |
| OSD Control   | Function Key                | 5 Keys: Menu, Up, Down, Auto Adjust, Monitor Power on/off<br>Menu Functions: Brightness, Contrast, Color Adjust, Color Temp, Auto Color, Language |                    |
| Power         | Power Connector             | Phoenix Terminal Block, 2 pins  |                    |
|               | Power Input                 | 12~24 V DC input, Single Power Source   |                    |
|               | Power Consumption (Typical) | 3.5 W   |                    |
| Environment   | Operating Temperature       | -20~60° C (-4~140° F)   |                    |
|               | Storage Temperature         | -30~70° C (-22~158° F)  |                    |
|               | Humidity                    | 5~95% @ 40° C, non-condensing   |                    |
|               | Vibration                   | 5-500 Hz, 0.026 G <sup>2</sup> /Hz, 2.16 Grms, X, Y, Z, 1 hour per axis   |                    |
| General       | Ingress Protection          | IP54  |                    |
|               | Dimensions (W x H x D)      | 281.60 x 222.60 x 35.30 mm (11.08" x 8.76" x 1.38")   |                    |
|               | Weight                      | 1.8 kg (3.96 lb)  |                    |
|               | Operating System            | Windows CE/XP/7/8.1/10, WES7, WE8S, Linux Fedora, Ubuntu  |                    |