

PPC-Z213RW

21.5" IP66/69K Waterproof Stainless Steel 316 5 Wire Resistive Touch Panel PC with Intel® Pentium™ N4200 Processor



Features

- 21.5"(1920 x1080) LCD Panel with 5 Wire Resistive Touch
- Support Dual Ethernet, 1 VGA, 2 USB 2.0 and 2 COM M12 Connector
- Support Front IP67 USB3.0 and RFID Reader
- Stainless Steel SUS316, Full IP66/69K Waterproof
- Support VESA Mounting and Yoke Mounting

Applications

- Food & Beverage Processing Application
- Hospitality and Catering Service
- Pharmaceutical and Biopharmaceutical Equipment
- Animal Feed Production Facility
- Chemical, Gas & Oil Critical Environment
- Medical Application

→ Packing List

Description
1 x PPC-Z213RW

→ Optional Items

Part No.	Description
APW-60M12V-01	12V, 60W, 5A, 5-pin M12 Connector (US)
APW-60M12V-02	12V, 60W, 5A, 5-pin M12 Connector (EU)
AKT-USB2M12	M12 Connector to USB2.0 Cable, 2m
AKT-COM2M12	M12 Connector to DB9 Cable, 2m
AKT-LAN2M12	M12 Connector to LAN Cable, 2m
AKT-USB32M12	M12 Connector to USB3.0 Cable, 2m
AWD-WF006	wifi 802.11 a/b/g/n/ac/BT4.0 (2T2R) + 2 IP66 antenna(dual band), miniPCle Half size
AWD-WF007	wifi 802.11 b/g/n (1T1R) + 1 IP66 antenna(dual band), Half size miniPCle, for PPC Z-series

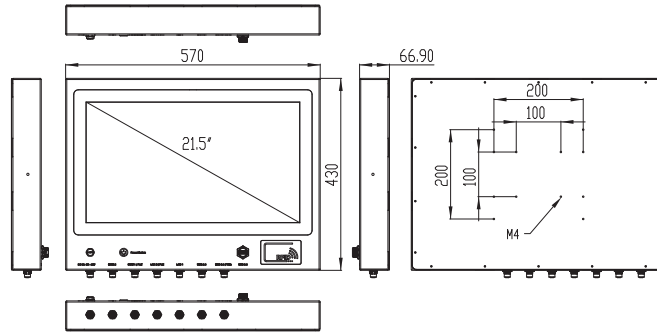
→ Ordering Information

Part No.	Description
PPC-Z213RW-B61A1	21.5" 16:9 (1920 x 1080), 250nits, Stainless Steel 316 Full IP66/69K Protection, Fanless Panel PC with Intel® Pentium® N4200, 5 Wire Resistive Touch, 4G RAM, 128G SSD, 2 USB 2.0, 1 RS232, 1 RS-232/422/485, 2 GbE, 1VGA, DC 9-36 V (M12 Connector), 1 IP67 Front USB 3.0, RFID Reader

PPC-Z213RW

Arestech

→ Dimensions



→ Specifications

Model		PPC-Z213RW-B61A1
Processor System	CPU	Intel® Pentium® N4200
	Frequency	Quad-Core up to 2.5GHz
	L2 Cache	Intel® Smart Cache 2 MB
	System Chipset	N/A
	BIOS	UEFI
Memory	Technology	DDR3L 1866 MHz SDRAM
	Max. Capacity	8 GB
	Socket/ (On Board)	2, (204-pin SO-DIMM)
Display	Panel Size	21.5" LCD Panel
	Aspect Ratio	16:9
	Resolution	1920 x 1080 (Full HD)
	Viewing Angle	85 x 85 (H) x 80 x 80 (V)
	Brightness	250 (cd/m2)
	Contrast Ratio	1000:1
	VGA / HDMI / DP / DVI	1 VGA, 1920 x 1200 @ 60Hz
	Multi Display	LCD Panel + VGA
Touchscreen	Touchscreen Type	5-wire Resistive Touch
	Surface Hardness	3 Mohs
	Durability	36 millions times
	Transparency	80% (±3%)
I/O Interface	USB	3, 2 USB 2.0 (M12 Connector); 1 USB3.0 (IP67 Connector)
	Serial Port	2, COM (1 RS-232, 1 RS-232/422/485), M12 Connector
	Digital I/O	N/A
	Ethernet	2, GbE LAN ports (Intel® i211AT)
	Others	RFID Reader (UID Reader only, CARD TYPE:ISO 18092 Felica, ISO 14443A Mifare® Class, Ultralight), Ferquency: 13.56MHz *Also can option 125 kHz card types supported proximity cards: Cotag, Deister, GProx-II ID, ID Teck Alternate (128 bits), Isonas, NEDAP, and Postech. 13.56 MHz card types supported contactless cards: NFC 1 (Topaz), iCLASS Seos, ISO 14443B, FeliCa (NFC 3), CEPAS, Oyster, Ferquency:125 kHz and 13.56 MHz (This RFID by option)
Expansion	miniPCIe/ M.2 Slot	1, Mini PCIe (Full-size)
	PCI/ PCIe Slot	N/A
Audio	Connector	N/A
Storage	HDD/SSD	1, Internal 2.5" HDD/SSD
	mSATA/ M.2 / eMMC	1, M.2 M Key 2280 (SATA III / PCIe x4)
Power	Power On Model	AT/ATX
	Power Supply Voltage	9-36 V DC input
	Connector Type	M12 Connector
	Power Consumption(Typical/Max.)	Typical : 2.25A @ 12V (27W), Max : 2.83A @ 12V (34W)
	Battery	CR2032;3.3V
Mounting	VESA Mount	200 mmx 200 mm; 100mm x 100mm
	Panel Mount	N/A
	Others	Yoke Mount
Environment	Operating Temperature	-20~60° C (-4~140° F) w/ Extended Operation Temp. RAM & SSD
	Storage Temperature	-40~85° C (-40~185° F)
	Humidity	5~95% @ 40° C, non-condensing
	Vibration	5-500 Hz, 0.026 G ² /Hz, 2.16 Grms, X, Y, Z, 1 hour per axis
	Shock	20 G, IEC 60068-2-27, half sine, 11 ms duration
General	Certification	TBD
	Thermal Dissipation	Fanless
	Material, Surface Finish	Stainless steel 316, Brush polish
	Ingress Protection	Full IP66/IP69K Protection
	Dimensions (L x W x H)	570 x 430 x 66.9 mm (22.44" x 16.93" x 2.63")
	Net Weight	12 kg (26.45 lb)
Operating System	Windows 10 IoT 64Bit, Linux kernel 4.0.x or above	