

PPC-S176

Arestech

17" Stainless Steel IP65 Waterproof Touch Panel PC
Intel® Core™ i5-4300U Processor and 2 PCI Slots



Features

- 17" SXGA LED Panel with Projected Capacitive Touch Display
- Embedded Intel® Core™ i5-4300U 1.90 GHz Processor
- 2 PCI Expansion Slots
- Stainless Steel IP65 Waterproof Front Cover
- Completely Flat Front Panel Design
- Panel and VESA Mounting

Applications

- CNC Control Panel
- Food Industry Management System
- Animal Feed Production Facility
- Outdoor Kiosk

→ Packing List

Description
1 x PPC-S176
1 x Power Adapter
14 x Panel Mounting Screws

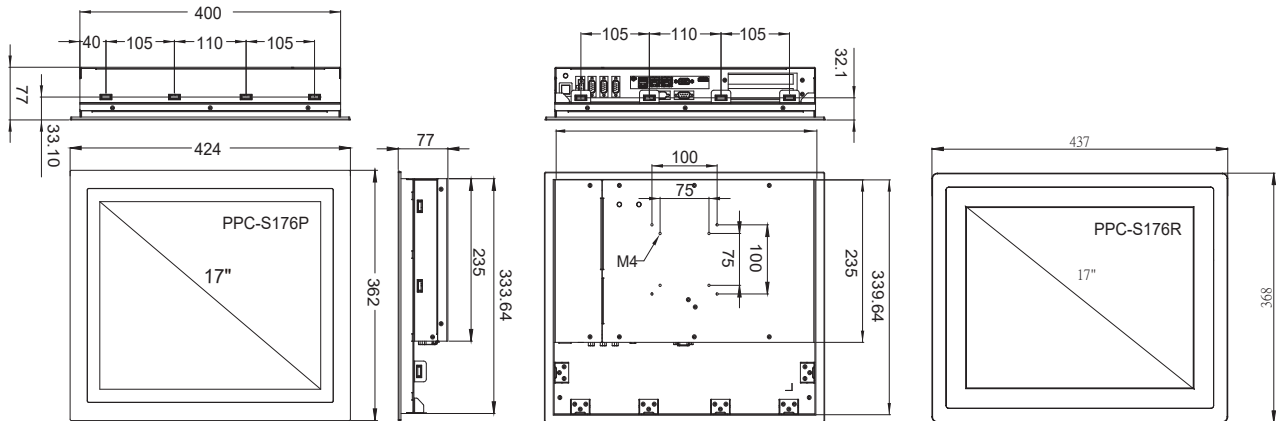
→ Optional Items

Part No.	Description
AWD-3G002	3G (HSPA+) Module + 1 Antenna, Full-size
AWD-4G001	4G (LTE) Module + 2 Antennas, Full-size
AWD-WF001	Wi-Fi 802.11 bgn (1T1R) + 1 Antenna (Single band), Half-size
AWD-WF003	Wi-Fi 802.11 abgn/ac/BT4.0 (2T2R) Module + 2 Antennas (Dual band), Half-size
AWD-WF004	Wi-Fi 802.11 b/g/n + BT4.0(1T1R) + 2 Antenna(Single band), M.2 2230 Type
AWD-WF005	Wi-Fi 802.11 a/b/g/n/ac/BT4.0 (2T2R) + 2 Antenna(Dual band), M.2 2230 type

→ Ordering Information

Part No.	Description
PPC-S176P-A1	17" 1280 x1024, Stainless Steel IP65 P-Cap Touch Panel PC with Intel® Core™ i5-4300U, 2 GbE LAN, 4 USB, 4 COM Port, 2 PCI expansion
PPC-S176R-A1	17" 1280 x1024, Stainless Steel IP65 5-wire Resistive Touch Panel PC with Intel® Core™ i5-4300U, 2 GbE LAN, 4 USB, 4 COM Port, 2 PCI expansion

→ Dimensions



→ Specifications

PPC-S176P - Cut out: 402 * 335.7mm
 PPC-S176R - Cut out: 415 * 347.7mm

Model		PPC-S176P	PPC-S176R
Processor System	CPU	Intel® Core™ i5-4300U	
	Frequency	Dual-Core up to 1.9 GHz	
	L2 Cache	3 MB	
	System Chipset	N/A	
	BIOS	UEFI	
Memory	Technology	DDR3L 1333 MHz SDRAM	
	Max. Capacity	8 GB	
	Socket	1 (204-pin SO-DIMM)	
Display	Panel Size	17" LED Panel	
	Resolution	1280 x 1024 (SXGA)	
	Viewing Angle	80 x 80 (H) x 60 x 80 (V)	
	Brightness	350 (cd/m ²)	
	Color Support	16.7M	
	Contrast Ratio	800:1	
	Response Time	30 (msec)	
	VGA	Up to 1920 x 1200	
	HDMI	HDMI 1.4a up to 1920 x 1200	
Touchscreen	Touchscreen Type	Projected Capacitive	5-Wire Resistive
	Surface Hardness	7	3
	Durability	-	10 millions times
	Transparency	90% (±3%)	80% (±3%)
I/O Interface	USB	4 USB 3.0	
	Serial Port	4 COM (2 RS-232, 2 RS-232/422/485)	
	Digital I/O (Optional)	8-pin Digital I/O (DB-9 connector)	
	Expansion	1 Mini PCIe (half-size), 2 PCI	
Ethernet	Controller	Dual GbE, 10/100/1000 Mbps	
Audio	Chipset	Realtek ALC662 High Definition Audio (HD)	
	Connector	Line out, Mic In	
Storage	SATA II	1 Internal 2.5" HDD/SSD	
Power	Power Supply Voltage	9-36 V DC input	
	Connector Type	2-Pin Terminal Block, Phoenix Connector	
	Power Consumption (Typical)	2.6 A @ 12 V (31.3 W), not including PCI expansion card	
	Power Consumption (Max.)	3.88 A @ 12 V (48 W), not including PCI expansion card	
	Battery	Lithium 3 V / 210 mA/H	
Environment	Operating Temperature	-20~60° C (-4~140° F) w/ 2.5" Extended Temperature SSD	
	Storage Temperature	-40~85° C (-40~185° F)	
	Humidity	5~95% @ 40° C, non-condensing	
	Vibration	5-500 Hz, 0.026 G ² /Hz, 2.16 Grms, X, Y, Z, 1 hour per axis	
	Certification	CE, FCC Class A	
General	Front Panel Waterproof	IP65, stainless steel front cover	
	Dimensions (L x W x H)	424 x 356 x 77 mm (16.69" x 14.02" x 3.03")	437 x 368 x 77.5 mm (17.2" x 14.48" x 3.05")
	Weight	7 kg (15.4 lb)	
	Operating System	Windows 7/8.1/10, WES7-E/P, WE8S, Ubuntu 14.04	