

PPC-S122

12.1" Fanless Multi-touch Waterproof Panel PC with Intel® Celeron® J1900 Processor



Features

- 12.1" XGA LED Panel with Projected Capacitive Touch Display
- Embedded Intel® Celeron® J1900 2.0 GHz Processor
- Stainless Steel IP65 Waterproof Front Cover
- Completely Flat Front Design
- Two-finger Touch Control while Wearing Gloves
- Panel and VESA Mounting

Applications

- CNC Control Panel
- Food Industry Management System
- Animal Feed Production Facility
- Outdoor Kiosk

→ Packing List

Description
1 x PPC-S122
1 x Power Adapter
9 x Panel Mounting Screws

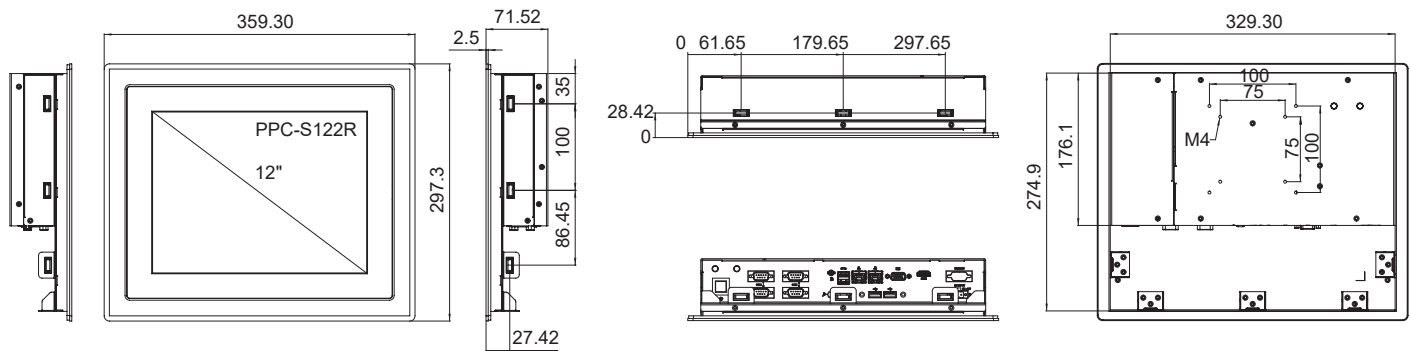
→ Optional Items

Part No.	Description
AWD-3G002	3G (HSPA+) Module + 1 Antenna, Full-size
AWD-4G001	4G (LTE) Module + 2 Antennas, Full-size
AWD-WF001	Wi-Fi 802.11 bgn (1T1R) + 1 Antenna (Single band), Half-size
AWD-WF003	Wi-Fi 802.11 abgn/ac/BT4.0 (2T2R) Module + 2 Antennas (Dual band), Half-size
AWD-WF004	Wi-Fi 802.11 b/g/n + BT4.0(1T1R) + 2 Antenna(Single band), M.2 2230 Type
AWD-WF005	Wi-Fi 802.11 a/b/g/n/ac/BT4.0 (2T2R) + 2 Antenna(Dual band), M.2 2230 type

→ Ordering Information

Part No.	Description
PPC-S122P-A1	12.1", 1024 x 768, Stainless Steel IP65 Fanless P-Cap Touch PC with Intel® Celeron® J1900 2.0 GHz
PPC-S122R-A1	12.1", 1024 x 768, Stainless Steel IP65 Fanless 5 Wire Resistive Touch PC with Intel® Celeron® J1900 2.0 GHz

→ Dimensions



→ Specifications

Model		PPC-S122P	PPC-S122R
Processor System	CPU	Intel® Celeron® Processor J1900	
	Frequency	Quad-Core up to 2.0 GHz	
	L2 Cache	2 MB	
	System Chipset	N/A	
Memory	BIOS	UEFI	
	Technology	DDR3L 1333 MHz SDRAM	
	Max. Capacity	8 GB	
Display	Socket	1 (204-pin SO-DIMM)	
	Panel Size	12.1" LED Panel	
	Resolution	1024 x 768 (XGA)	
	Viewing Angle	80 x 80 (H) x 60 x 80 (V)	
	Brightness	450 (cd/m ²)	
	Color Support	16.7M	
	Contrast Ratio	800:1	
	Response Time	30 (msec)	
	VGA	Up to 1920 x 1200	
	HDMI	HDMI 1.4a up to 1920 x 1200	
	Dual Display	LCD + VGA or LCD + HDMI	
Touchscreen	Touchscreen Type	Projected Capacitive	5-Wire Resistive
	Surface Hardness	7	3
	Durability	-	10 millions times
	Transparency	90% (±3%)	80% (±3%)
I/O Interface	USB	2 USB 2.0, 2 USB 3.0	
	Serial Port	4 COM (3 RS-232, 1 RS-232/422/485)	
	Digital I/O (Optional)	8-pin Digital I/O (DB-9 connector)	
	Expansion	2 Mini PCIe (half-size)	
Ethernet	Controller	Dual GbE, 10/100/1000 Mbps (Realtek RTL8111G-CG)	
Audio	Chipset	Realtek ALC662 High Definition Audio (HD)	
	Connector	Line out	
Storage	SATA II	1 Internal 2.5" HDD/SSD	
Power	Power Supply Voltage	9-36 V DC input	
	Power Type	2-pin Terminal Block, Phoenix Connector	
	Power Consumption (Typical)	1.45A @ 12V (17.4W)	
	Power Consumption (Max.)	1.72A @ 12V (20.7W)	
	Battery	Lithium 3V / 210 mAH	
Environment	Operating Temperature	-20~60° C (-4~140° F) w/ 2.5" Extended Temp. SSD	
	Storage Temperature	-40~85° C (-40~185° F)	
	Humidity	5~95% @ 40° C, non-condensing	
	Vibration	5-500 Hz, 0.026 G ² /Hz, 2.16 Grms, X, Y, Z, 1 hour per axis	
	Certification	CE, FCC Class A	
General	Front Panel Waterproof	IP65, stainless steel front cover	
	Dimensions (L x W x H)	359.3 x 297.3 x 71.52 mm (14.15" x 11.7" x 2.82")	359.3 x 297.3 x 71.02 mm (14.15" x 11.7" x 2.79")
	Weight	3.32kg (7.30lb)	
	Operating System	Windows 7/8.1/10, WS7E/P, WES8	