

6.5" Fanless Multi-touch Panel PC with Intel® Celeron® J1900 Processor



## Features

- 6.5" TFT SVGA LED Panel with Resistive Touch
- Display 800 nits High Brightness
- System Memory up to 8 GB DDR3L 1333
- SDRAM Internal SATA 2.5" HDD and mSATA Socket

## Applications

- Human Machine Interface (HMI)
- Factory / Manufacturing Automation
- Home Automation
- Security Control, Gate Control

## → Packing List

Description
1 x PPC-62
1 x Driver CD
1 x Startup Manual
1 x Power Cord
1 x Power Adapter (AC-to-DC, 12 V @ 5 A, 60 W)
5 x Panel Mounting Screws

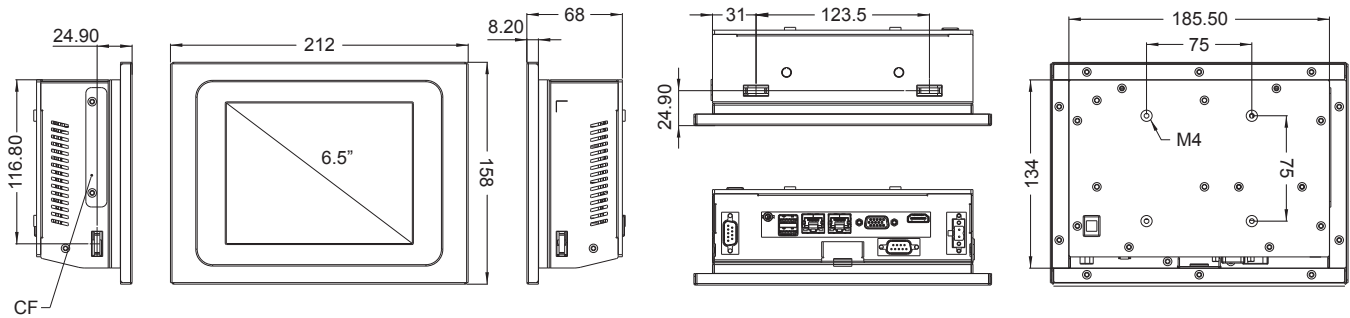
## → Optional Items

Part No.	Description
ACS-PS-US	Power Cable 3-pin, 180 cm, USA Type
ACS-PS-EU	Power Cable 3-pin, 180 cm, Euro Type
ACS-PS-CN	Power Cable 3-pin, 180 cm, China Type
ACS-100-STD	VESA Table Stand
AWD-WF001-00	Wi-Fi 802.11 b/g/n (1T1R) + 1 Antenna, Half-size
AWD-WF002-00	Wi-Fi 802.11 a/b/g/n/ac (1T1R) + 1 Antenna (Dual band), Half-size
AWD-WF003-00	Wi-Fi 802.11 a/b/g/n/ac/ BT4.0 (2T2R) + 2 Antennas (Dual band), Half-size
AWD-3G001-00	3G (HSPA+) + 1 Antenna, Full-size

## → Ordering Information

Part No.	Description
PPC-62R-A1	6.5" Fanless 4-wire Resistive Touch Panel PC with Intel® Celeron® J1900 2.0 GHz Processor

## → Dimensions



Cut out : 212\*158mm

## → Specifications

Model		PPC-62R
Processor System	CPU	Intel® Celeron® Processor J1900
	Frequency	Quad-Core up to 2.0 GHz
	L2 Cache	2 MB
	System Chipset	N/A
Memory	BIOS	UEFI
	Technology	DDR3L 1333 MHz SDRAM
	Max. Capacity	8 GB
Display	Socket	1 (204-pin SO-DIMM)
	Panel Size	6.5" LED Panel
	Resolution	640 x 480 (VGA)
	Viewing Angle	60 x 70 (H) x 70 x 70 (V)
	Brightness	800 (cd/m <sup>2</sup> )
	Color Support	262K
	Contrast Ratio	500:1
	Response Time	30 (msec)
	VGA	Up to 1920 x 1200
	HDMI	HDMI 1.4a up to 1920 x 1200
	Dual Display	LCD + VGA or LCD + HDMI
	Touchscreen	Type
Surface Hardness		3
Durability		10 million times
Transparency		80% (±3%)
I/O Interface	USB	2 USB 3.0
	Serial Port	2 COM (1 RS-232, 1 RS-232/422/485)
	Digital I/O	N/A
	Expansion	2 Mini PCIe (1 full-size Mini PCIe or mSATA, selected by jumper setting; 1 half-size Mini PCIe)
Ethernet	Controller	Dual GbE, 10/100/1000 Mbps (Realtek RTL8111G-CG)
Audio	Chipset	Realtek ALC662 High Definition Audio (HD)
	Connector	Line out
Storage	mSATA	mSATA or full-size Mini PCIe, selected by jumper setting
	SATA II	1 Internal 2.5" HDD/SSD
Power	Power Supply Voltage	9-36 V DC input (Phoenix Connector)
	Power Consumption (Typical)	1.16 A @ 12 V (13.9 W)
	Power Consumption (Max.)	1.44 A @ 12 V (17.3 W)
	Battery	Lithium 3 V / 210 mA
Environment	Operating Temperature	-20~55° C (-4~131° F)
	Storage Temperature	-40~85° C (-40~185° F)
	Humidity	5~95% @ 40° C, non-condensing
	Vibration	5-500 Hz, 0.026 G <sup>2</sup> /Hz, 2.16 Grms, X, Y, Z, 1 hour per axis
	Certification	CE, FCC Class A
General	Ingress Protection	IP54
	Dimensions (L x W x H)	212 x 158 x 68 mm (11.08" x 8.76" x 2.32")
	Weight	1.59 kg (3.5 lb)
	Operating System	Windows 7/8.1/10, WES7-E/P, WE8S, Ubuntu 14.04