

# PPC-102PW

**Arestech**

10.1" Wide Screen Fanless Multi-touch Panel PC with Intel® Celeron® J1900 Processor



## Features

- 10.1" 16:9 Wide Screen Projected Capacitive Touch Panel PC
- Front Panel IP54
- Resolution:1024 x 600, Brightness 450nits
- Anti Vandal Glass
- Internal SATA 2.5" HDD and mSATA Socket
- Panel and VESA Mounting

## Applications

- Human Machine Interface (HMI)
- Factory / Manufacturing Automation
- ATM / Self-service / Kiosk Applications
- Vending Machine / Ticketing Machine

## → Packing List

Description
1 x PPC-102PW
1 x Driver CD
1 x Power Adapter
6 x Panel Mounting Screws

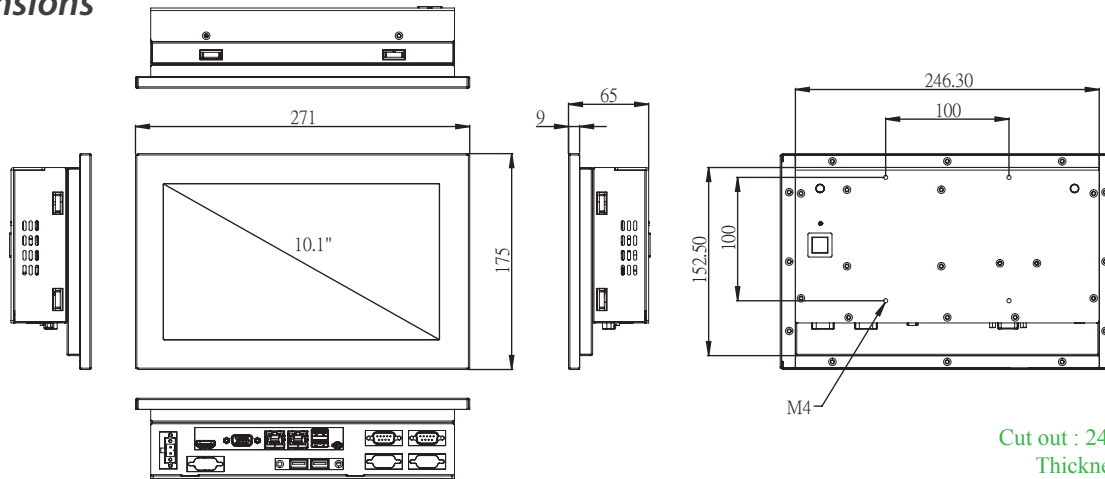
## → Optional Items

Part No.	Description
AWD-WF001	wifi 802.11 b/g/n (1T1R) + 1 antenna , Half size
AWD-WF002	wifi 802.11 b/g/n + BT4.0(1T1R) + 2 antennas (dual band), Half size
AWD-WF003	wifi 802.11 a/b/g/n/ac/BT4.0 (2T2R) + 2 antenna (dual band), Half, size
ACS-100-STD	VESA Table Stand

## → Ordering Information

Part No.	Description
PPC-102PW-A1	10.1" 16:9 LCD (1024 x 600), Fanless Panel PC with Intel® Celeron® J1900 2.0GHz CPU, Projected Capacitive Touch

## → Dimensions



Cut out : 248.3mm\*154.5mm  
Thickness limit : 12.5mm

## → Specifications

Model		PPC-102PW
Processor System	CPU	Intel® Celeron® J1900 Processor
	Frequency	Quad-Core up to 2.0 GHz
	L2 Cache	Intel® Smart Cache 2 MB
	System Chipset	N/A
Memory	BIOS	UEFI
	Technology	DDR3L 1333 MHz SDRAM
	Max. Capacity	8 GB
Display	Socket	1 (204-pin SO-DIMM)
	Panel Size	10.1" LCD Panel
	Resolution	1024 x 600
	Viewing Angle	75 x 80 (H) x 80 x 80 (V)
	Brightness	450 (cd/m2)
	Color Support	16.7M
	Contrast Ratio	800:1
	Response Time	7 (msec)
	HDMI	HDMI 1.4a up to 1920 x 1200
	Three Display	LCD Panel + VGA or LCD Panel + HDMI
	Touchscreen	Touchscreen Type
Surface Hardness		7 Mohs
Durability		-
Transparency		90% (±3%)
I/O Interface	USB	2 USB 3.0, 2 USB 2.0
	Serial Port	4 COM (1 RS-232/422/485, 3 RS-232)
	Digital I/O	8-pin Digital I/O (DB-9 connector, Option)
	Expansion	2 Mini PCIe (1 full-size Mini PCIe or mSATA, selected by jumper setting; 1 half-size Mini PCIe)
Ethernet	Controller	Dual GbE, 10/100/1000 Mbps (Realtek RTL8111G-CG)
Audio	Chipset	Realtek ALC662 High Definition Audio (HD)
	Connector	Line out
Storage	mSATA	1 mSATA (shared with full-size mini PCIe)
	SATA II	1 Internal 2.5" HDD/SSD
Power	Power Supply Voltage	Supports 9-36 V DC input
	Connector Type	2-Pin Terminal Block, Phoenix Connector
	Power Consumption (Typical)	1.53 A @ 12 V (18.4 W)
	Power Consumption (Max)	1.8 A @ 12 V (21.6 W)
	Battery	Lithium 3 V / 210 mA
Environment	Operating Temperature	-20~60°C (-4~140°F) (Humidity: 50°C @ 80% RH Non-condensing) w/ 2.5" Extended Temp. SSD
	Storage Temperature	-40~85°C (-40~185°F) (Humidity: 85°C @ 80% RH Non-condensing)
	Humidity	5~95% @ 40°C, non-condensing
	Vibration	5-500 Hz, 0.026 G <sup>2</sup> /Hz, 2.16rms, X, Y, Z, 1 hour per axis
	Certification	TBD
General	Ingress Protection	Front Bezel IP54 Protection
	Dimensions (L x W x H)	271 x 175 x 65 mm (10.67" x 6.89" x 2.56")
	Weight	1.62 kg (3.57lb)
	Operating System	Windows 7/8.1/10, WES7-E/P, WE8S, Ubuntu 14.04