

10.4" Fanless Multi-touch Panel PC with Intel® Celeron® J1900 Processor



Features

- 10.4" LED Panel with Projected Capacitive Touch Display
- Embedded Intel® Celeron J1900 2.0GHz Processor
- System Memory up to 8 GB DDR3L 1333 SDRAM
- Two-Finger Touch Control while Wearing Gloves
- Internal SATA 2.5" HDD and mSATA Socket

Applications

- Human Machine Interface (HMI)
- Factory / Manufacturing Automation
- ATM / Self-service / Kiosk Applications
- Vending Machine / Ticketing Machine

→ Packing List

Description
1 x PPC-102
1 x Power Adapter
6 x Panel Mounting Screws

→ Optional Items

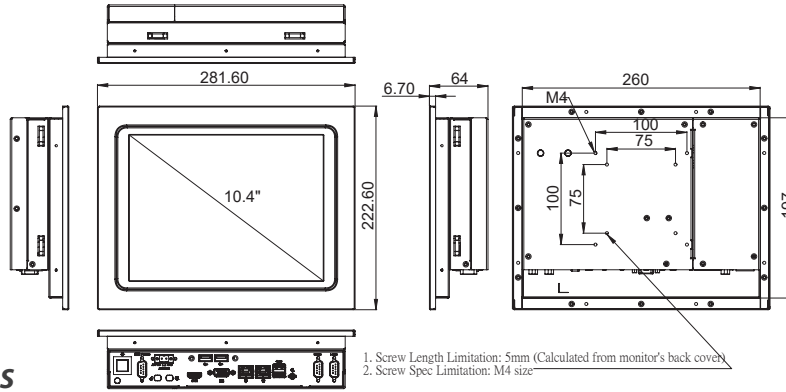
Part No.	Description
ACS-PS-US	Power Cable 3-pin, 180 cm, USA Type
ACS-PS-EU	Power Cable 3-pin, 180 cm, Euro Type
ACS-PS-CN	Power Cable 3-pin, 180 cm, China Type
ACS-100-STD	VESA Table Stand

→ Ordering Information

Part No.	Description
PPC-102P-A2	10.4" 4:3 (1024 x 768), 350nits, Fanless Panel PC with Intel® Celeron J1900 CPU, Projected Capacitive Touch, 2 USB 3.0, 2 USB 2.0, 2 RS-232, 1 RS-232/422/485, Line out, 2 GbE, 1 VGA, 1 HDMI, DC 9-36 V, Phoenix Connector
PPC-102R-A2	10.4" 4:3(1024 x 768),350nits, Fanless Panel PC with Intel® Celeron J1900 CPU, 5-wire Resistive Touch, 2 USB 3.0, 2 USB 2.0, 2 RS-232, 1 RS-232/422/485, Line out, 2 GbE, 1 VGA, 1 HDMI, DC 9-36 V, Phoenix Connector

PPC-102

→ Dimensions



→ Specifications

Cut out : 262*199mm

Model		PPC-102P	PPC-102R	
Processor System	CPU	Intel® Celeron® Processor J1900		
	Frequency	Quad-Core up to 2.0 GHz		
	L2 Cache	Intel® Smart Cache 2 MB		
	System Chipset	N/A		
Memory	BIOS	UEFI		
	Technology	DDR3L 1333 MHz SDRAM		
	Max. Capacity	8 GB		
Display	Socket/ (On Board)	1 (204-pin SO-DIMM)		
	Panel Size	10.4" LED Panel		
	Aspect Ratio	4:3		
	Resolution	1024 x 768 (XGA)		
	Viewing Angle	80 x 80 (H) x 70 x 70 (V)		
	Brightness	350 (cd/m2)		
	Contrast Ratio	500:1		
	VGA / HDMI / DP / DVI	HDMI 1.4a up to 1920 x 1200		
	Multi Display	LCD Panel+ VGA or LCD Panel+ HDMI		
	Touchscreen	Touchscreen Type	Projected Capacitive	5-Wire Resistive
		Surface Hardness	7 Mohs	3 Mohs
		Durability	N/A	36 millions times
Transparency		90% (±3%)	80% (±3%)	
I/O Interface	USB	4, 2 USB 3.0 2 USB 2.0		
	Serial Port	3, COM (2 RS-232, 1 RS-232/422/485)		
	Digital I/O	N/A		
	Ethernet	Dual GbE, 10/100/1000 Mbps (Realtek RTL8111G-CG)		
	Others	N/A		
Expansion	miniPCIe/ M.2 Slot	2 Mini PCIe (1 full-size Mini PCIe or mSATA, selected by jumper setting; 1 half-size Mini PCIe)		
	PCI/ PCIe Slot	N/A		
Audio	Connector	Line out		
Storage	HDD/SSD	1, Internal 2.5" HDD/SSD		
	mSATA/ M.2 / eMMC	Supports either mSATA or full-size Mini PCIe, selected by jumper setting		
Power	Power On Model	AT/ATX		
	Power Supply Voltage	Supports 9-36 V DC input (Phoenix Connector)		
	Connector Type	2-Pin Terminal Block, Phoenix Connector		
	Power Consumption(Typical/Max.)	Typical:1.16 A @ 12 V (13.9 W), Max:1.44 A @ 12 V (17.3 W)		
	Battery	Lithium 3 V / 210 mAh		
Mounting	VESA Mount	75mmx 75mm; 100mm x 100mm		
	Panel Mount	Cut out 411.5 x 267.8 mm mm, Thickness range under 28 mm		
	Others	N/A		
Environment	Operating Temperature	0~50° C (32~122° F) w/ 2.5" SSD		
	Storage Temperature	-40~85° C (-40~185° F)		
	Humidity	5~95% @ 40° C, non-condensing		
	Vibration	5-500 Hz, 0.026 G ² /Hz, 2.16 Grms, X, Y, Z, 1 hour per axis		
	Shock	20 G, IEC 60068-2-27, half sine, 11 ms duration		
General	Certification	CE, FCC Class A		
	Thermal Dissipation	Fanless		
	Material, Surface Finish	SECC Front Cover		
	Ingress Protection	IP54		
	Dimensions (L x W x H)	281.6 x 222.6 x 64 mm (11.08" x 8.76" x 2.51")		
	Net Weight	1.83 kg (4.02 lb)	1.80 kg (3.97 lb)	
	Operating System	Windows 7/8.1/10, WE57-E/P, WE8S, Ubuntu 14.04		