

BPC-3030

Arestech

Fanless Embedded Box PC with Intel® Celeron® Processor J1900 and 8 COM Ports



Features

- Intel® Celeron® Processor J1900 (2.0 GHz) 8 COM
- Ports (up to 5 RS-232/422/485)
- 1 Internal USB for Software Encryption Dongle 1
- SATA HDD/SSD (2.5") 1 mSATA
- 1 Half-size Mini PCIe (for WLAN Module)

Applications

- Embedded Control Systems
- ATM / Self-service / Kiosk Applications
- Intelligent Transportation Systems
- Machine Automation

→ Packing List

Description
1 x BPC-3030
1 x Power Adapter

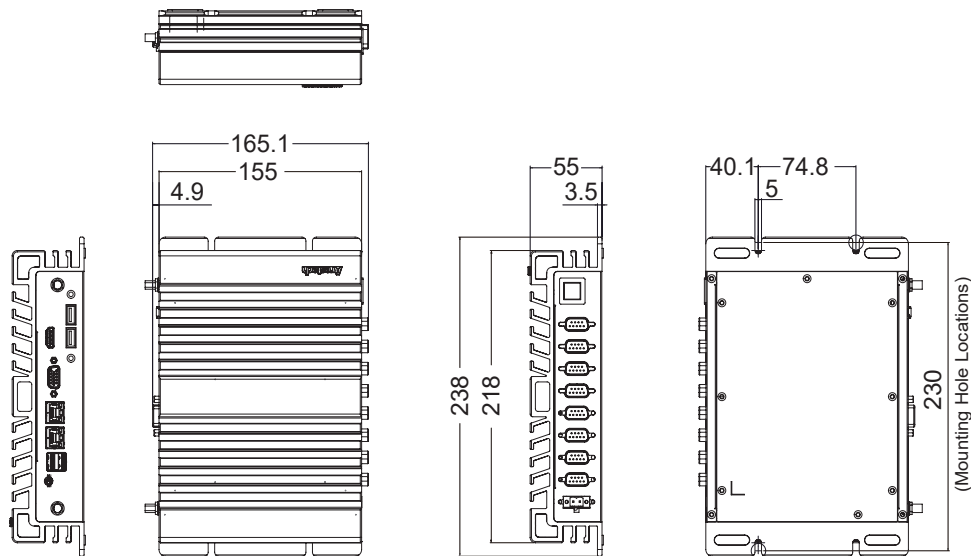
→ Optional Items

Part No.	Description
ACS-PS-US	Power Cable 3-pin, 180 cm, USA Type
ACS-PS-EU	Power Cable 3-pin, 180 cm, Euro Type
ACS-PS-CN	Power Cable 3-pin, 180 cm, China Type

→ Ordering Information

Part No.	Description
BPC-3030-1A1	Intel® Celeron® J1900 2.0 GHz w/ 3 RS-232, 1RS-232/422/485, 4 USB, 2 GbE, Line out, 1 VGA, 1 HDMI
BPC-3030-2A2	Intel® Celeron® J1900 2.0 GHz w/ 3 RS-232, 5 RS-232/422/485 4 USB, 2GbE, Line out, 1 VGA, 1 HDMI
BPC-3030-3A2	Intel® Celeron® J1900 2.0 GHz w/ 7 RS-232, 1 RS-232/422/485,4 USB, 2 GbE, Line out, 1 VGA, 1 HDMI

→ Dimensions



→ Specifications

Model		BPC-3030-3A2	BPC-3030-1A1	BPC-3030-2A2
Processor System	CPU	Intel® Celeron® Processor J1900		
	Frequency	2.0 GHz / 2.42 GHz (Boost), 4 Cores / 4 Threads		
	L2 Cache	2 MB		
	System Chipset	N/A		
Memory	BIOS	UEFI		
	Technology	Single channel DDR3L 1333 MHz SDRAM		
	Capacity	8 GB		
	Socket	204-pin SO-DIMM		
Display	Graphics Engine	Intel® Gen7 Graphics with DX11*, OGL3.2		
	VGA	Up to 1920 x 1200		
	HDMI	HDMI 1.4a, 1920 x 1200 max. resolution		
I/O Interface	Dual Display	VGA + HDMI		
	USB	2 USB 3.0, 2 USB 2.0		
	Internal USB	1 internal USB for Keypro (Option)		
	Serial Port	7 RS-232, 1 RS-232/422/485	3 RS-232, 1 RS-232/422/485	3 RS-232, 5 RS-232/422/485 (Set by jumper)
Ethernet	GPIO	N/A		
	Controller	Dual GbE, Realtek RTL8111G-CG, 10/100/1000 Mbps		
Audio	Chipset	Realtek ALC662 High Definition Audio (HD)		
	Connectors	Line out		
Expansion	Mini PCIe	1 half-size	1 half-size, 1 full-size / mSATA	1 half-size
Storage	SATAII	1 (2.5" HDD/SSD)		
	mSATA	N/A	1 mSATA shared with full-size Mini PCIe	N/A
Power	Power Type	AT / ATX		
	Power Supply Voltage	9-36 V DC input (Phoenix Connector), 6.7-1.7 A		
	Power Consumption (Typical)	0.783 A @ 12 V (9.4 W)	0.77 A @ 12 V (9.2 W)	0.783 A @ 12 V (9.4 W)
	Power Consumption (Max)	1.25 A @ 12 V (15 W)	1.67 A @ 12 V (14 W)	1.25 A @ 12 V (15 W)
Environment	Operational	-20~60° C (-4~140° F) w/ 2.5" SSD (Humidity: 60° C @ 80% RH Non-condensing)		
	Non-Operational	-40~85° C (-40~185° F) (Humidity: 60° C @ 95% RH Non-condensing)		
	Vibration	5 Grms, IEC 60068-2-64, random, 5~500 Hz, 1 Oct/min., 1hr/axis, x, y, z 3 axes (w/ SSD only) 1 Grms, IEC 60068-2-64, random, 5~500 Hz, 1 Oct/min., 1hr/axis, x, y, z 3 axes (w/ 2.5" HDD)		
	Shock	50 G, IEC 60068-2-27, half sine, 11 ms duration (w/ SSD only) 20 G, IEC 60068-2-27, half sine, 11 ms duration (w/ 2.5" HDD)		
Certificate	Certification	CE, FCC Class A		
General	Dimensions (W x H x D)	238 x 55 x 165 mm (9.37" x 2.16" x 6.5")		
	Weight	1.8 kg (3.96 lb)	1.78 kg (3.92 lb)	1.8 kg (3.96 lb)
	Operating System	Windows 7/8.1/10, WES7-E/P, WE8S, Ubuntu 14.04		